

Series DD

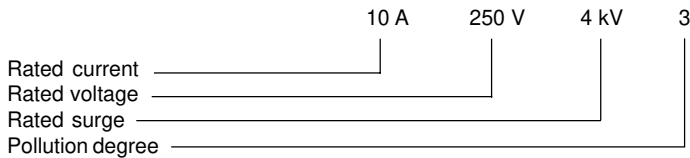
Specifications

Regulations: DIN VDE 0627, DIN VDE 0110, DIN EN 61 984

Approvals: UR, EZÚ, GOST

Number of poles: 24, 42, 72, 108, 144 (2 x 72), 216 (2x108) + PE

Electrical data acc. to DIN EN 61 984:



Rated voltage acc. to UL: 600 V

Material: Glass-fibre reinforces polyamide
Temperature range: - 40 °C up to + 125 °C
Flame class rating acc. to UL 94: V 0
Mechanical operating life mating cycles: > 500

Contacts

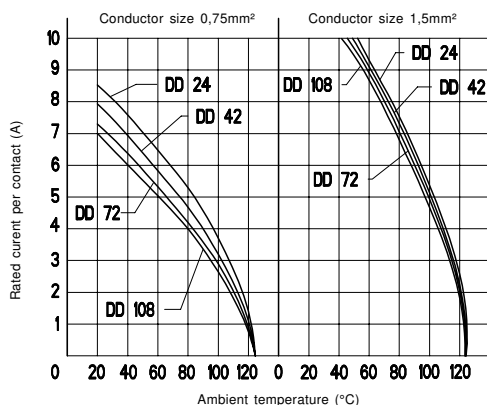
Material: Copper alloy
Surface - hard silver-plated: 3 µm Ag
 - hard gold plated: 2 µm Au over 3 µm Ni
Contact resistance: < 3 m Ω
Crimp terminal: 0,14 - 2,5 mm² (26 - 14) AWG

Housings

Material: Die-cast aluminium
Surface: Powder-coated
Levers for double locking system: Stainless steel
Levers for single locking system: Zinc-plated steel
Housing seal: NBR
Temperature range: - 40 °C up to + 125 °C
Protection degree acc. to DIN EN 60 529 in closed position: IP 65

Application hint: Heavy duty connectors are electrical devices which under proper use - under load - should not be inserted or separated.

The derating diagram (corrected on ambient temperature and current capacity curve) acc. to DIN/IEC 512 applies to such kind of current which can - depending on conductor size - circulate through each contact without exceeding the upper limiting temperature.



Page

Inserts

DD 24 pole + PE, DD 24 modified
 DD 12 pole + PE
 DD 5 pole + PE

56

- short overview see page 102 -
 - matching housings s. page 103 - 105 -



Inserts

DD 42 pole + PE, DD 42 modified
 DD 21 pole + PE
 DD 11 pole + PE

57

- short overview see page 106 -
 - matching housings s. page 107 - 113 -



Inserts

DD 72 pole + PE, DD 72 modified
 DD 34 pole + PE
 DD 17 pole + PE

58

- short overview see page 114 -
 - matching housings s. page 115 - 122 -



Inserts

DD 108 pole + PE, DD 108 modified
 DD 52 pole + PE
 DD 26 pole + PE

60

- short overview see page 124 -
 - matching housings s. page 125 - 131 -



Inserts

DD 144 pole + PE, DD 144 modified
 DD 68 pole + PE
 DD 34.1 pole + PE

62

- short overview see page 132 -
 - matching housings see page 133 -




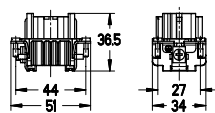
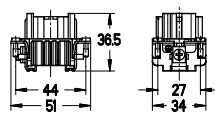

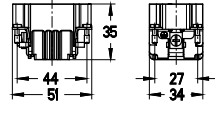
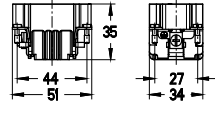
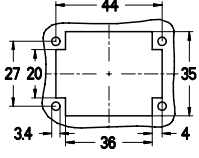
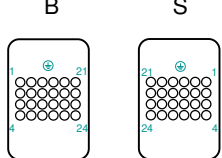
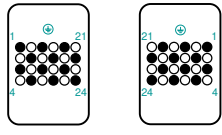
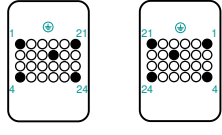




Inserts

DD 216 pole + PE, DD 216 modified
 DD 104 pole + PE
 DD 52.1 pole + PE





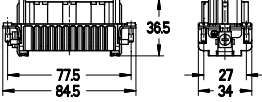

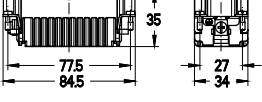
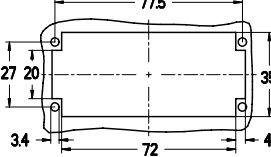
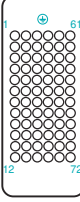
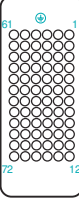

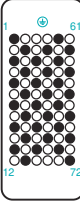
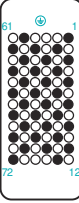

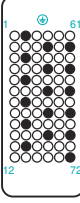
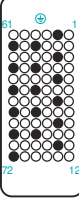
64














- short overview see page 134 -
 - matching housings see page 137 -



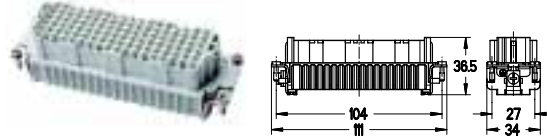
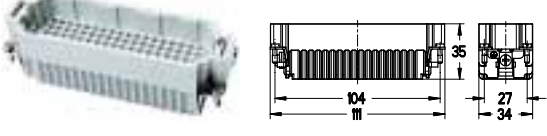
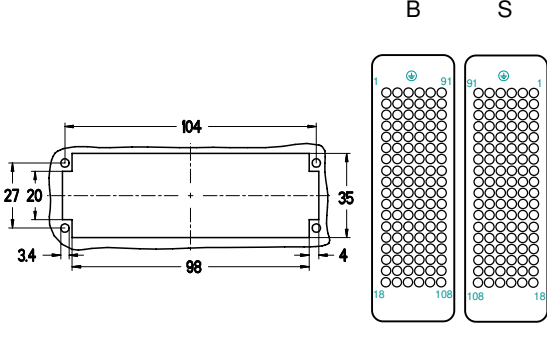
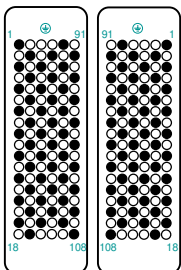
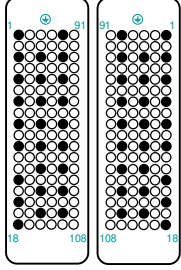
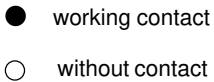


Description	Part No.		Series DD 24 P + 10 A / 250 V UL/CSA: 600 V	 	EAN-No. 4015609...																																				
Crimp contact carriers																																									
Contact carrier for sleeve contacts	750 124	 		10 40	149797																																				
Please order crimp contacts and contacts for glass fibre cables separately																																									
Contact carrier for pin contacts	750 224	 		10 39	149858																																				
Please order crimp contacts and contacts for glass fibre cables separately																																									
Contact arrangement																																									
DD 24 complete with 24 contacts rated voltage: 250 V B: Female insert S: Male insert		panel cut out 	view from termination side B S 																																						
DD 24 modified: DD 12 pole + PE DD 24 with 12 contacts rated voltage: 400 V																																									
DD 24 modified: DD 5 pole + PE DD 24 with 5 contacts rated voltage: 500 V			 <p>● working contac ○ without contact</p>																																						
Contacts																																									
Sleeve contacts D crimp-type solid, drilled weight per 100		<table border="1"> <thead> <tr> <th></th> <th>silver-plated</th> <th>gold-plated</th> </tr> </thead> <tbody> <tr> <td></td> <td>720 506</td> <td>720 686</td> </tr> <tr> <td></td> <td>720 507</td> <td>720 687</td> </tr> <tr> <td></td> <td>720 508</td> <td>720 688</td> </tr> <tr> <td></td> <td>720 509</td> <td>720 689</td> </tr> <tr> <td></td> <td>720 502</td> <td>720 690</td> </tr> </tbody> </table>		silver-plated	gold-plated		720 506	720 686		720 507	720 687		720 508	720 688		720 509	720 689		720 502	720 690	<table border="1"> <thead> <tr> <th>z</th> <th colspan="2">conductor size marked by z</th> </tr> </thead> <tbody> <tr> <td>1</td> <td>0,14 - 0,37 mm²</td> <td>26 - 22 AWG</td> </tr> <tr> <td>2</td> <td>0,5 mm²</td> <td>20 AWG</td> </tr> <tr> <td>3</td> <td>0,75 - 1 mm²</td> <td>19 - 18 AWG</td> </tr> <tr> <td>4</td> <td>1,5 mm²</td> <td>16 AWG</td> </tr> <tr> <td>5</td> <td>2,5 mm²</td> <td>14 AWG</td> </tr> </tbody> </table> 	z	conductor size marked by z		1	0,14 - 0,37 mm ²	26 - 22 AWG	2	0,5 mm ²	20 AWG	3	0,75 - 1 mm ²	19 - 18 AWG	4	1,5 mm ²	16 AWG	5	2,5 mm ²	14 AWG	100 65 68 70 72 62	031603 031610 031627 031634 031573
	silver-plated	gold-plated																																							
	720 506	720 686																																							
	720 507	720 687																																							
	720 508	720 688																																							
	720 509	720 689																																							
	720 502	720 690																																							
z	conductor size marked by z																																								
1	0,14 - 0,37 mm ²	26 - 22 AWG																																							
2	0,5 mm ²	20 AWG																																							
3	0,75 - 1 mm ²	19 - 18 AWG																																							
4	1,5 mm ²	16 AWG																																							
5	2,5 mm ²	14 AWG																																							
Pin contacts D crimp-type solid, drilled weight per 100		<table border="1"> <thead> <tr> <th></th> <th>silver-plated</th> <th>gold-plated</th> </tr> </thead> <tbody> <tr> <td></td> <td>720 516</td> <td>720 691</td> </tr> <tr> <td></td> <td>720 517</td> <td>720 692</td> </tr> <tr> <td></td> <td>720 518</td> <td>720 693</td> </tr> <tr> <td></td> <td>720 519</td> <td>720 694</td> </tr> <tr> <td></td> <td>720 512</td> <td>720 695</td> </tr> </tbody> </table>		silver-plated	gold-plated		720 516	720 691		720 517	720 692		720 518	720 693		720 519	720 694		720 512	720 695	<table border="1"> <thead> <tr> <th>z</th> <th colspan="2">conductor size marked by z</th> </tr> </thead> <tbody> <tr> <td>1</td> <td>0,14 - 0,37 mm²</td> <td>26 - 22 AWG</td> </tr> <tr> <td>2</td> <td>0,5 mm²</td> <td>20 AWG</td> </tr> <tr> <td>3</td> <td>0,75 - 1 mm²</td> <td>19 - 18 AWG</td> </tr> <tr> <td>4</td> <td>1,5 mm²</td> <td>16 AWG</td> </tr> <tr> <td>5</td> <td>2,5 mm²</td> <td>14 AWG</td> </tr> </tbody> </table> 	z	conductor size marked by z		1	0,14 - 0,37 mm ²	26 - 22 AWG	2	0,5 mm ²	20 AWG	3	0,75 - 1 mm ²	19 - 18 AWG	4	1,5 mm ²	16 AWG	5	2,5 mm ²	14 AWG	100 60 63 65 67 70	031672 031689 031696 031702 031641
	silver-plated	gold-plated																																							
	720 516	720 691																																							
	720 517	720 692																																							
	720 518	720 693																																							
	720 519	720 694																																							
	720 512	720 695																																							
z	conductor size marked by z																																								
1	0,14 - 0,37 mm ²	26 - 22 AWG																																							
2	0,5 mm ²	20 AWG																																							
3	0,75 - 1 mm ²	19 - 18 AWG																																							
4	1,5 mm ²	16 AWG																																							
5	2,5 mm ²	14 AWG																																							
Sleeve contact glass fibre cable for plastic fibre solid, drilled weight per 100		720 520	 POF* Ø 1 mm	100 89	157839																																				
Pin contact glass fibre cable for plastic fibre solid, drilled weight per 100		720 530	 POF* Ø 1 mm *POF= Polymer Optical Fibre	100 74	157846																																				

Description	Part No.	Series DD	42 P +		EAN-No. 4015609...
Contact carriers					
Contact carrier for sleeve contacts	750 142			10 51	149803
Please order crimp contacts and contacts for glass fibre cables separately					
Contact carrier for pin contacts	750 242			10 47	149865
Please order crimp contacts and contacts for glass fibre cables separately					
Contact arrangement					
DD 42 complete with 42 contacts rated voltage: 250 V		<p>panel cut out</p> <p>view from termination side</p> <p>B S</p>			
B: Female insert S: Male insert					
DD 42 modified: DD 21 pole + PE					
DD 42 with 21 contacts rated voltage: 400 V					
DD 42 modified: DD 11 pole + PE					
DD 42 with 11 contacts rated voltage: 500 V		<p>● working contact ○ without contact</p>			
Contacts					
Sleeve contacts D		silver-plated gold-plated		conductor size marked by z	
crimp-type	720 506	720 686		z	
solid, drilled	720 507	720 687		1	0,14 - 0,37 mm ² 26 - 22 AWG
weight per 100	720 508	720 688		2	0,5 mm ² 20 AWG
	720 509	720 689		3	0,75 - 1 mm ² 19 - 18 AWG
	720 502	720 690		4	1,5 mm ² 16 AWG
				5	2,5 mm ² 14 AWG
Pin contacts D		silver-plated gold-plated			
crimp-type	720 516	720 691		z	
solid, drilled	720 517	720 692		1	0,14 - 0,37 mm ² 26 - 22 AWG
weight per 100	720 518	720 693		2	0,5 mm ² 20 AWG
	720 519	720 694		3	0,75 - 1 mm ² 19 - 18 AWG
	720 512	720 695		4	1,5 mm ² 16 AWG
				5	2,5 mm ² 14 AWG
Sleeve contact		720 520		POF* Ø 1 mm	
glass fibre cable for plastic fibre				100	
solid, drilled				89	
weight per 100					
Pin contact		720 530		POF* Ø 1 mm	
glass fibre cable for plastic fibre				100	
solid, drilled				74	
weight per 100					
*POF= Polymer Optical Fibre					





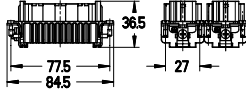

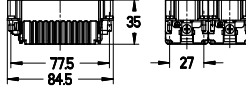
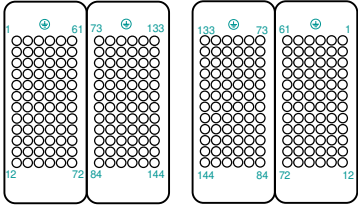
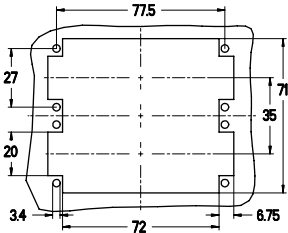
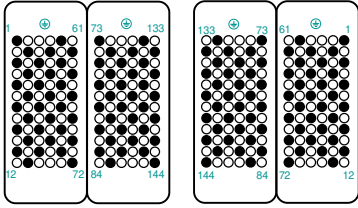
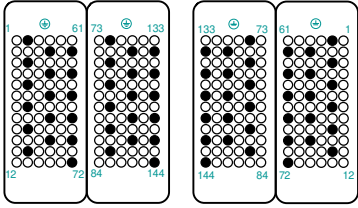
Description	Part No.	Series DD 72 P + PE  10 A / 250 V UL/CSA: 600 V	  9 EAN-No. 4015609...
Crimp contact carriers			
Contact carrier for sleeve contacts	750 172	 	10 64 149810
Please order crimp contacts and contacts for glass fibre cables separately			
Contact carrier for pin contacts	750 272	 	10 58 149872
Please order crimp contacts and contacts for glass fibre cables separately			
Contact arrangement		panel cut out view from termination side	
DD 72 complete with 72 contacts rated voltage: 250 V B: Female insert S: Male insert		 <div style="display: flex; justify-content: space-around;"> <div data-bbox="1077 795 1157 1041"> <p>B</p>  </div> <div data-bbox="1189 795 1268 1041"> <p>S</p>  </div> </div>	
DD 72 modified: DD 34 pole + PE  DD 72 with 34 contacts rated voltage: 400 V		 	
DD 72 modified: DD 17 pole + PE  DD 72 with 17 contacts rated voltage: 500 V		  <div style="margin-top: 10px;"> <p>● working contact</p> <p>○ without contact</p> </div>	

Description	Part No.		Series DD	72 P + \oplus	 g	EAN-No. 4015609...
Contacts				conductor size marked by z		
Sleeve contacts D	silver-plated	gold-plated			100	
crimp-type	720 506	720 686		1 0,14 - 0,37 mm ² 26 - 22 AWG	65	031603
solid, drilled	720 507	720 687		2 0,5 mm ² 20 AWG	68	031610
weight per 100	720 508	720 688		3 0,75 - 1 mm ² 19 - 18 AWG	70	031627
	720 509	720 689		4 1,5 mm ² 16 AWG	72	031634
	720 502	720 690		5 2,5 mm ² 14 AWG	62	031573
Pin contacts D	silver-plated	gold-plated			100	
crimp-type	720 516	720 691		1 0,14 - 0,37 mm ² 26 - 22 AWG	60	031672
solid, drilled	720 517	720 692		2 0,5 mm ² 20 AWG	63	031689
weight per 100	720 518	720 693		3 0,75 - 1 mm ² 19 - 18 AWG	65	031696
	720 519	720 694		4 1,5 mm ² 16 AWG	67	031702
	720 512	720 695		5 2,5 mm ² 14 AWG	70	031641
Sleeve contact					100	
glass fibre cable for plastic fibre	720 520			POF* Ø 1 mm	89	157839
solid, drilled						
weight per 100						
Pin contact					100	
glass fibre cable for plastic fibre	720 530			POF* Ø 1 mm	74	157846
solid, drilled						
weight per 100						
				*POF= Polymer Optical Fibre		





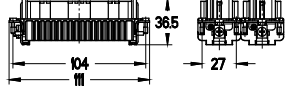

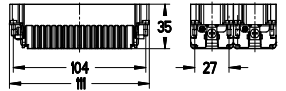
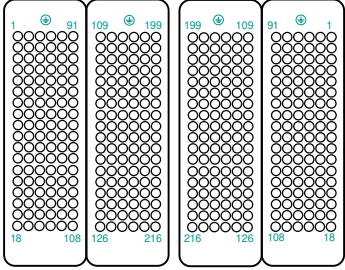
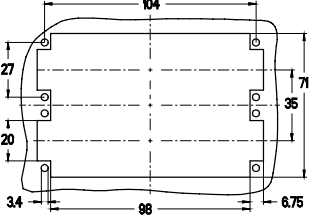
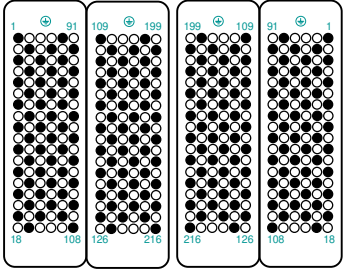
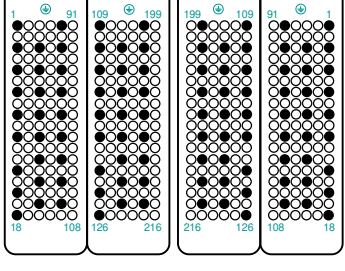
Description	Part No.	Series DD 108 P +  10 A / 250 V UL/CSA: 600 V	 g	EAN-No. 4015609...
Crimp contact carriers			10 83	149827
Contact carrier for sleeve contacts 750 108 Please order crimp contacts and contacts for glass fibre cables separately				
Contact carrier for pin contact contacts 750 208 Please order crimp contacts and contacts for glass fibre cables separately			10 73	149889
Contact arrangement				
DD 108 complete with 108 contacts rated voltage: 250 V B: Female insert S: Male insert				
DD 108 modified: DD 52 pole + PE DD 108 with 52 contacts rated voltage: 400 V				
DD 108 modified: DD 26 pole + PE DD 108 with 26 contacts rated voltage: 500 V		 		

Description	Part No.		Series DD	108 P +		EAN-No. 4015609...
			conductor size marked by z			
			z		100	
Sleeve contacts D	silver-plated	gold-plated				
crimp-type	720 506	720 686	1	0,14 - 0,37 mm ²	26 - 22 AWG	65 031603
solid, drilled	720 507	720 687	2	0,5 mm ²	20 AWG	68 031610
weight per 100	720 508	720 688	3	0,75 - 1 mm ²	19 - 18 AWG	70 031627
	720 509	720 689	4	1,5 mm ²	16 AWG	72 031634
	720 502	720 690	5	2,5 mm ²	14 AWG	62 031573
Pin contacts D	silver-plated	gold-plated				
crimp-type	720 516	720 691	1	0,14 - 0,37 mm ²	26 - 22 AWG	60 031672
solid, drilled	720 517	720 692	2	0,5 mm ²	20 AWG	63 031689
weight per 100	720 518	720 693	3	0,75 - 1 mm ²	19 - 18 AWG	65 031696
	720 519	720 694	4	1,5 mm ²	16 AWG	67 031702
	720 512	720 695	5	2,5 mm ²	14 AWG	70 031641
Sleeve contact						
glass fibre cable for plastic fibre	720 520			POF* Ø 1 mm		100
solid, drilled						89
weight per 100						157839
Pin contact						
glass fibre cable for plastic fibre	720 530			POF* Ø 1 mm		100
solid, drilled						74
weight per 100						157846
				*POF= Polymer Optical Fibre		

5

Description	Part No.	Series DD 144 P +  10 A / 250 V UL/CSA: 600 V	  9 EAN-No. 4015609...
<h3>Crimp contact carriers</h3>		 	10 83 83 149810 149834
Contact carriers for sleeve contacts 1 - 72 750 172 for sleeve contacts 73 - 144 750 144 Please order crimp contacts and contacts for glass fibre cables separately			
Contact carriers for pin contacts 1 - 72 750 272 for pin contacts 73 - 144 750 244 Please order crimp contacts and contacts for glass fibre cables separately		 	10 73 73 149872 149896
<h3>Contact arrangement</h3> <p>DD 144 complete with 144 contacts rated voltage: 250 V</p> <p>B: Female insert S: Male insert</p>		<p>panel cut out view from termination side</p> <p>B S</p>  	
<p>DD 144 modified: DD 68 pole + PE</p> <p>DD 144 with 2 x 34 contacts rated voltage: 400 V</p>			
<p>DD 144 modified: DD 34 pole + PE</p> <p>DD 144 with 2 x 17 contacts rated voltage: 500 V</p>		 <p>● working contact ○ without contact</p>	

Description	Part No.		Series DD	144 P +		EAN-No. 4015609...
				10 A / 250 V UL/CSA: 600 V		
				conductor size marked by z		
			z			
					100	
Contacts						
Sleeve contacts D			silver-plated	gold-plated		
crimp-type	720 506	720 686				
solid, drilled	720 507	720 687				
weight per 100	720 508	720 688				
	720 509	720 689		1 0,14 - 0,37 mm ²	26 - 22 AWG	65 031603
	720 502	720 690		2 0,5 mm ²	20 AWG	68 031610
				3 0,75 - 1 mm ²	19 - 18 AWG	70 031627
				4 1,5 mm ²	16 AWG	72 031634
				5 2,5 mm ²	14 AWG	62 031573
Pin contacts D			silver-plated	gold-plated		
crimp-type	720 516	720 691				
solid, drilled	720 517	720 692				
weight per 100	720 518	720 693				
	720 519	720 694		1 0,14 - 0,37 mm ²	26 - 22 AWG	60 031672
	720 512	720 695		2 0,5 mm ²	20 AWG	63 031689
				3 0,75 - 1 mm ²	19 - 18 AWG	65 031696
				4 1,5 mm ²	16 AWG	67 031702
				5 2,5 mm ²	14 AWG	70 031641
Sleeve contact						
glass fibre cable for plastic fibre	720 520			POF* Ø 1 mm		
solid, drilled						
weight per 100						
						100
						89 157839
Pin contact						
glass fibre cable for plastic fibre	720 530			POF* Ø 1 mm		
solid, drilled						
weight per 100						
						100
						74 157846

Description	Part No.	Series DD 216 P +  10 A / 250 V UL/CSA: 600 V	  EAN-No. 4015609...
Crimp contact carriers Contact carriers for sleeve contacts 1 - 108 750 108 for sleeve contacts 109 - 216 750 116 Please order crimp contacts and contacts for glass fibre cables separately		 	10 64 64 149827 149841
Contact carrier for pins 1 - 108 750 208 for pins 109 - 216 750 216 Please order crimp contacts and contacts for glass fibre cables separately		 	10 58 58 149889 149902
Contact arrangement DD 216 complete with 216 contacts rated voltage: 250 V B: Female insert S: Male insert		<p>panel cut out view from termination side</p> <p style="text-align: center;">B S</p>  	
DD 216 modified: DD 104 pole + PE DD 216 with 2 x 52 contacts rated voltage: 400 V			
DD 216 modified: DD 52.1 pole + PE DD 216 with 2 x 26 contacts rated voltage: 500 V		 <p style="text-align: center;">● working contact ○ without contact</p>	

Description	Part No.		Series DD	216 P +	 	EAN-No. 4015609...
Contacts			z	conductor size marked by z	100	
Sleeve contacts D	silver-plated	gold-plated				
crimp-type	720 506	720 686	1	0,14 - 0,37 mm ²	26 - 22 AWG	65 031603
solid, drilled	720 507	720 687	2	0,5 mm ²	20 AWG	68 031610
weight per 100	720 508	720 688	3	0,75 - 1 mm ²	19 - 18 AWG	70 031627
	720 509	720 689	4	1,5 mm ²	16 AWG	72 031634
	720 502	720 690	5	2,5 mm ²	14 AWG	62 031573
Pin contacts D	silver-plated	gold-plated				
crimp-type	720 516	720 691	1	0,14 - 0,37 mm ²	26 - 22 AWG	60 031672
solid, drilled	720 517	720 692	2	0,5 mm ²	20 AWG	63 031689
weight per 100	720 518	720 693	3	0,75 - 1 mm ²	19 - 18 AWG	65 031696
	720 519	720 694	4	1,5 mm ²	16 AWG	67 031702
	720 512	720 695	5	2,5 mm ²	14 AWG	70 031641
Sleeve contact						
glass fibre cable for plastic fibre	720 520				POF* Ø 1 mm	100
solid, drilled						89 157839
weight per 100						
Pin contact						
glass fibre cable for plastic fibre	720 530				POF* Ø 1 mm	100
solid, drilled						74 157846
weight per 100						