

Single-row, 4.5 MCB module units
1 MCB = 18 mm = 81 mm altogether

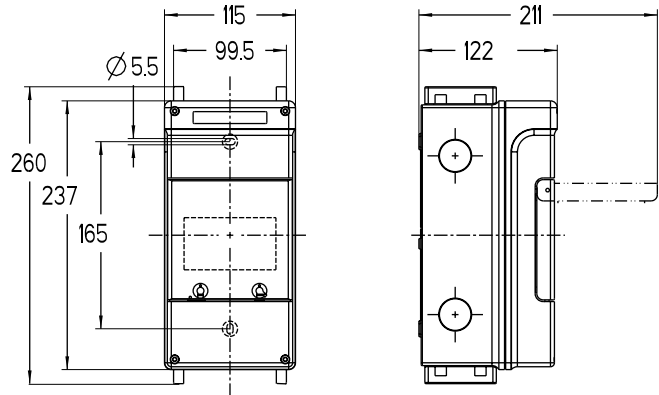
Consumer boxes, single-row





Consumer boxes 4.5 MCB

Plastic polystyrene, grey, RAL 7035
Rated voltage AC 230/400V
Transparent cover with locking facility, opens upwards

Internally fitted with:
DIN-rails for built-in devices with snap mounting
2 x 5 pole PE/N terminal blocks

For horizontal flanging connecting studs are available
for the protection degrees IP 54 or IP 65



Description	IP	Part No.	 	EAN-No. 4015609...
Cable entries with double membrane seals on enclosure top and bottom				
Standard	IP 65	IV 104 15	1	
Transparent cover without seal	IP 41	IV 104 151	686	232079
			680	232086
Includes: Assembly instructions Labeling strips Sealing plugs Cover plate				
Knock-out cable entries on enclosure top and bottom				
Complete cable glands	IP 65		1	
Grommets	IP 54	IV 104 26	593	232093
Transparent cover without seal	IP 41	IV 104 261	587	232109
Includes: Assembly instructions Labeling strips Grommets (3 x M 20)				

Single-row, 13 MCB module units
1 MCB = 18 mm = 234 mm altogether

Consumer boxes, single-row

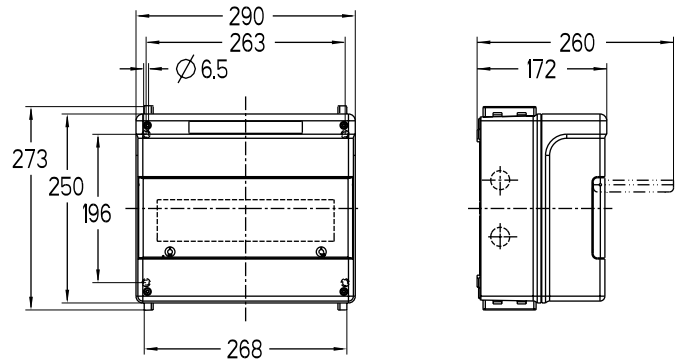
Consumer boxes 13 MCB

Plastic polystyrene, grey RAL 7035
Rated voltage AC 230/400V
Transparent cover with locking facility, opens upwards

Internally fitted with:

DIN-rails for built-in devices with snap mounting
2 x 17 pole PE/N terminal blocks
N-terminal, can be divided with tool as required

For horizontal flanging connecting studs are available for protection degree IP 54 or IP 65



The four fixing holes are located outside the sealing area.

Description	IP	Part No.		EAN-No. 4015609...
Cable entries with double membrane seals on top and bottom				
Standard	IP 65	IV 113 15	1	232314
Transparent cover without seal	IP 41	IV 113 151	2174	232321
Includes: Assembly instructions Labeling strips Cover strip for mounting space Sealing plugs Cover plate			2160	
Knock-out cable entries on top and bottom				
Complete cable glands, protection degree	IP 65		1	232338
Grommets	IP 54	IV 113 26	1884	232345
Transparent cover without seal	IP 41	IV 113 261	1870	
Includes: Assembly instructions Labeling strips Cover strip for mounting space Grommets 1 x M 32/40, 2 x M 25, 6 x M 20				
Flange opening on top and bottom for vertical flanging				
Standard	IP 65	IV 113 48	1	232352
Transparent cover without seal	IP 41	IV 113 481	1800	232369
Includes: Assembly instructions Labeling strips Cover strip for mounting space			1786	
Please order separately: 2 ea. flange frame sets				

2-row, 26 MCB module units
1 MCB = 18 mm = 468 mm altogether

Consumer boxes, 2-row

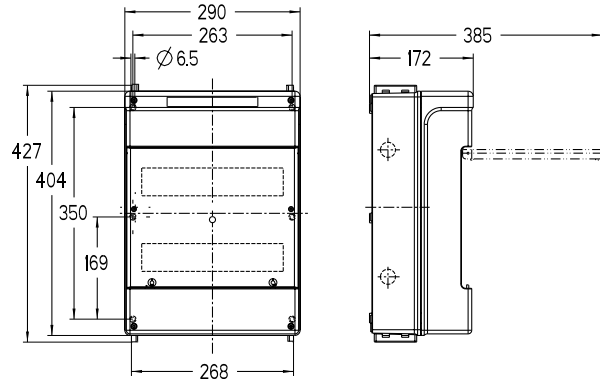
Consumer boxes 26 MCB

Plastic polystyrene, grey RAL 7035
Rated voltage AC 230/400V
Transparent cover with locking facility, opens upwards

Internally fitted with:

DIN-rails for built-in devices with snap mounting
2 x 17 pole PE/N terminal blocks
N-terminal, can be divided with tool as required

For horizontal flanging connecting studs are available for protection degree IP 54 or IP 65



The six fixing holes are located outside the sealing area.

Description	IP	Part No.		EAN-No. 4015609...
Cable entries with double membrane seals on top and bottom				
Standard	IP 65	IV 126 15		1 3252 232642 3232 232659
Transparent cover without seal	IP 41	IV 126 151		
Includes: Assembly instructions Labeling strips Cover strip for mounting space Sealing plugs Cover plate				
Knock-out cable entries on top and bottom				
Complete cable glands, protection degree	IP 65			1 2911 232666 2891 232673
Grommets	IP 54	IV 126 26		
Transparent cover without seal	IP 41	IV 126 261		
Includes: Assembly instructions Labeling strips Cover strip for mounting space Grommets 1 x M 32/40, 2 x M 25, 6 x M 20				
Flange opening on top and bottom for vertical flanging				
Standard	IP 65	IV 126 48		1 2845 232680 2825 232697
Transparent cover without seal	IP 41	IV 126 481		
Includes: Assembly instructions Labeling strips Cover strip for mounting space				
Please order separately: 2 ea. flange frame sets				

3-row, 39 MCB module units
1 MCB = 18 mm = 702 mm altogether

Consumer boxes, 3-row

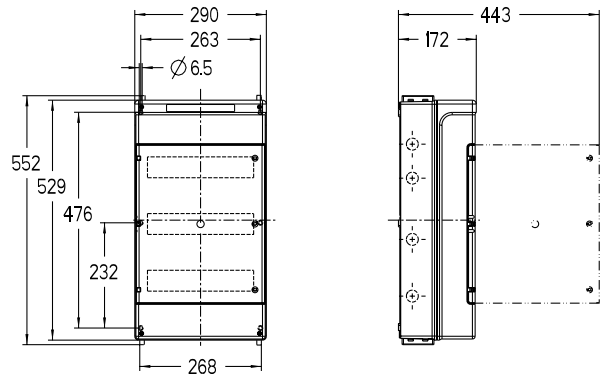
Consumer boxes 39 MCB

Plastic polystyrene, grey RAL 7035
Rated voltage AC 230/400V
Transparent cover with locking facility
opens to the left, alternatively to the right




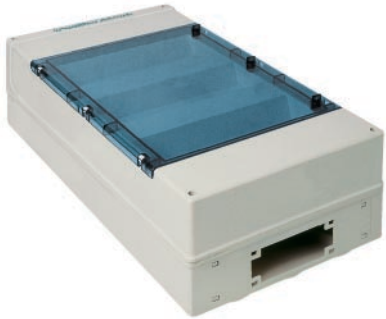
Internally fitted with:

DIN-rails for built-in devices with
snap mounting
4 x 17 pole PE/N terminal blocks
N-terminal, can be divided with tool as required

**For horizontal flanging connecting studs are available for
protection degree IP 54 or IP 65**



The six fixing holes are located outside the sealing area.

	IP	Part No.		EAN-No. 4015609...
<p>Cable entries with double membrane seals on top and bottom</p> <p>Standard IP 65 IV 139 15</p> <p>Transparent cover without seal IP 41 IV 139 151</p> <p>Includes: Assembly instructions Labeling strips Cover strip for mounting space Sealing plugs Cover plate</p>				<p>1 3680 232963 3650 232970</p>
<p>Knock-out cable entries on top and bottom</p> <p>Complete cable glands, protection degree IP 65 Grommets IP 54 IV 139 26</p> <p>Transparent cover without seal IP 41 IV 139 261</p> <p>Includes: Assembly instructions Labeling strips Cover strip for mounting space Grommets 1 x M 32/40, 2 x M 25, 6 x M 20</p>				<p>1 3338 232987 3308 232994</p>
<p>Flange opening on top and bottom for vertical flanging</p> <p>Standard IP 65 IV 139 48</p> <p>Transparent cover without seal IP 41 IV 139 481</p> <p>Includes: Assembly instructions Labeling strips Cover strip for mounting space</p> <p>Please order separately: 2 ea. flange frame sets</p>				<p>1 3258 233007 3228 233014</p>

4-row, 52 MCB module units
1 MCB = 18 mm = 936 mm altogether

Consumer boxes, 4-row

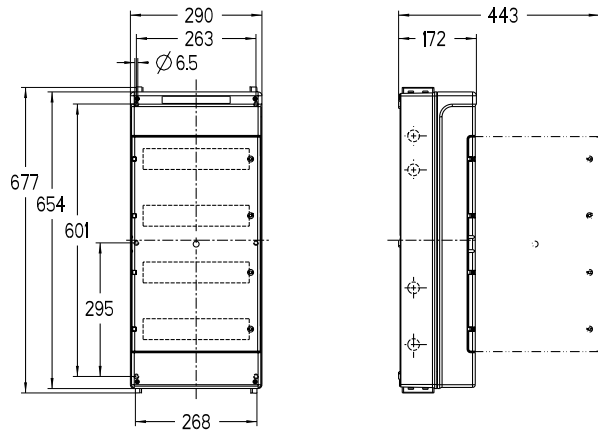
Consumer boxes 52 MCB

Plastic polystyrene, grey RAL 7035
Rated voltage AC 230/400V
Transparent cover with locking facility
opens to the left, alternatively to the right

Internally fitted with:

DIN-rails for built-in devices with
snap mounting
4 x 17 pole PE/N terminal blocks
N-terminal, can be divided with tool as required

**For horizontal flanging connecting studs are available
for protection degree IP 54 or IP 65**



The six fixing holes are located outside the sealing area.

Description	IP	Artikel-Nr.		EAN-No. 4015609...
Cable entries with double membrane seals on top and bottom				
Standard	IP 65	IV 152 15		1 4670 233281 233298
Transparent cover without seal	IP 41	IV 152 151		
Includes: Assembly instructions Labeling strips Cover strip for mounting space Sealing plugs Cover plate				
Knock-out cable entries on top and bottom				
Complete cable glands, protection degree	IP 65			1 4381 233304
Grommets	IP 54	IV 152 26		
Transparent cover without seal	IP 41	IV 152 261		4341 233311
Includes: Assembly instructions Labeling strips Cover strip for mounting space Grommets 1 x M 32/40, 2 x M 25, 6 x M 20				
Flange opening on top and bottom for vertical flanging				
Standard	IP 65	IV 152 48		1 4174 233328
Transparent cover without seal	IP 41	IV 152 481		
Includes: Assembly instructions Labeling strips Cover strip for mounting space				
Please order separately: 2 ea. flange frame sets				

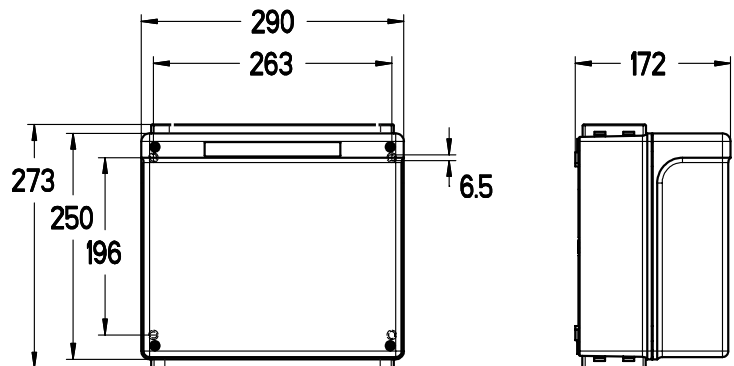
Consumer boxes

Terminal boxes IK 13






Plastic polystyrene, grey RAL 7035
Rated voltage AC 230/400V

Internally fitted with:
DIN-rails for built-in devices with
snap mounting

**For horizontal flanging connecting studs are
available for protection degree IP 54 or IP 65**



The four fixing holes are located outside the sealing area.

Description	IP	Part No.	 	EAN-No. 4015609...
Cable entries with double membrane seals on top and bottom Standard	IP 65	IK 113 15		1 2068 234240
Knock-out cable entries on top and bottom Complete cable glands, protection degree Grommets	IP 65 IP 54	IK 113 26		1 1772 234257
Flange opening on top and bottom for vertical flanging Standard	IP 65	IK 113 48		1 1695 234264
Please order separately: 2 ea. flange frame sets				