

Total flexibility

The cabinet modules can be fitted vertically, horizontally and back to back, allowing many different combinations.



Two depths

320 mm and 420 mm.
For electronics,
19" racks, public lighting, etc



Top cover modules

- Flat top (IP55)
- Rain canopy, front and back ventilation. (IP43 or IP55 on request)



Two types of hinges

- Internal hinges allow the door to be opened 105°.
- External hinges, 180°. The system allows the fitting and removal of the door without a single tool.



Protection degree

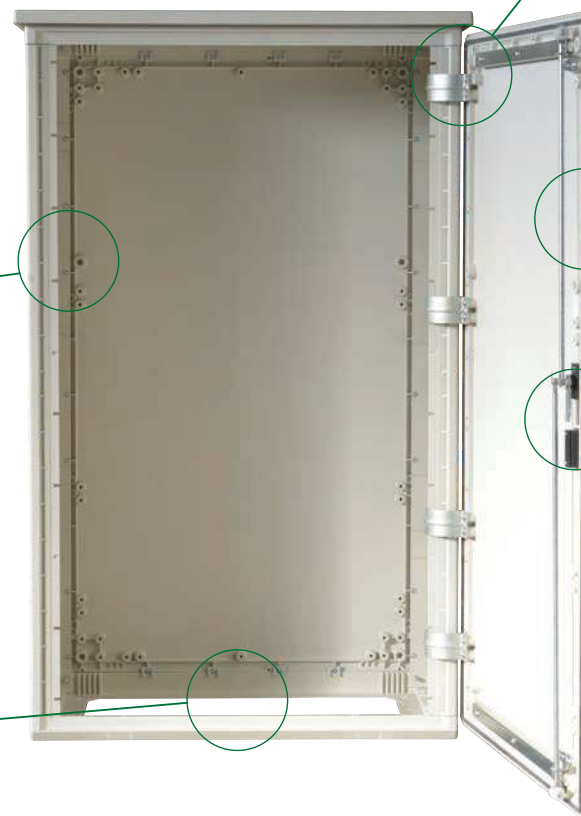
- IP55 according to IEC 60529
- IK10 according to IEC 62262 (standard)

Back plate fixing

All enclosures include the fixings necessary to mount the back plate.

Customization

Save costs using our machining service.



Polyurethane gasket

Preformed and premounted throughout the range.

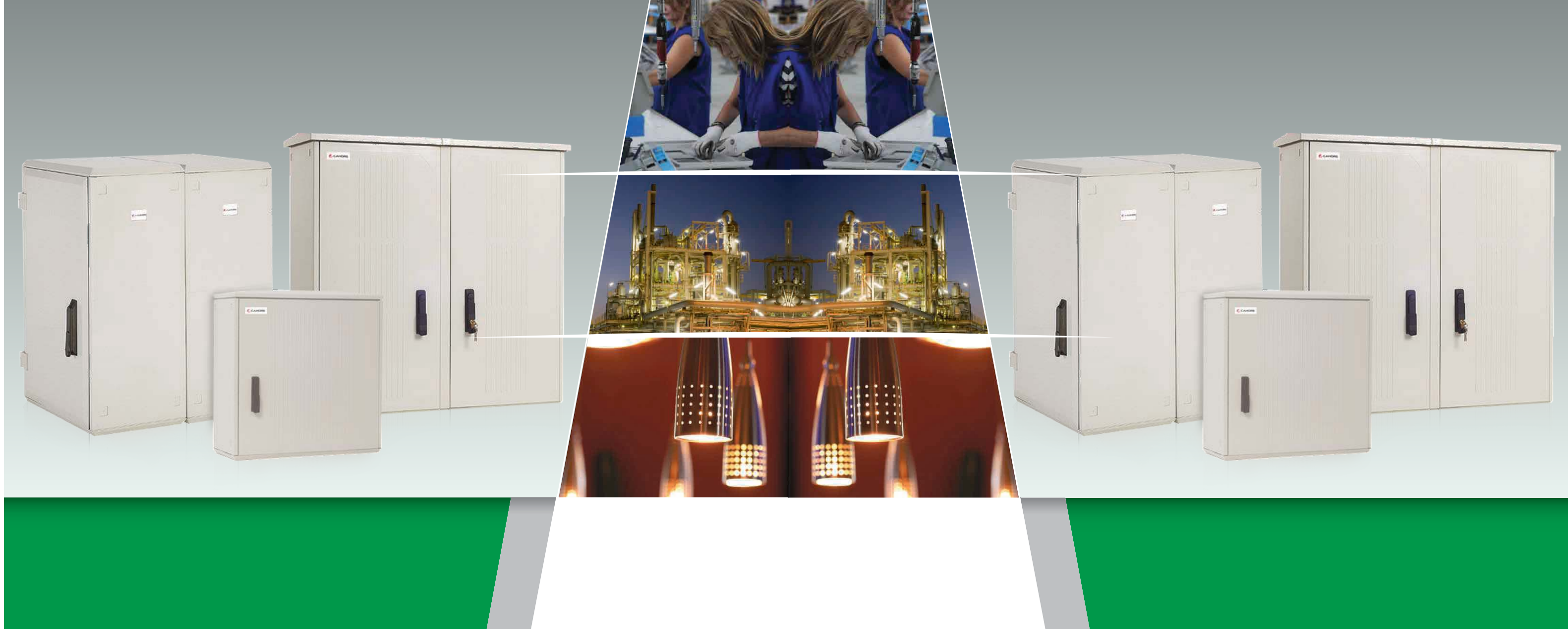
Fixing accessories

Wall-mounting, floorstanding or pole mounting.



Locking systems

3-point locking mechanism operated by swing-handle.
Different profile half cylinder locks



MAXIPOL SYSTEM

Total modular
polyester construction

Product range

DIMENSIONS (mm)		Height x Width Depth	Enclosure sizes												
			500x500	500x750	750x500	750x750	750x1000*	1000x500	1000x750	1000x1000*	1250x500	1250x750	1250x1000*	1250x1250*	
CABINETS		300	MX 553 E473.010	MX 573 E473.011	MX 753 E473.012	MX 773 E473.013	MX 7103/2P* E473.053	MX 1053 E473.014	MX 1073 E473.015	MX 10103/2P* E473.056	MX 1253 E473.051	MX 1273 E473.017	MX 12103/2P* E473.059	MX 12123/2P* E473.054	
		420	MX 554 E473.110	MX 574 E473.111	MX 754 E473.112	MX 774 E473.113	MX 7104/2P* E473.153	MX 1054 E473.114	MX 1074 E473.115	MX 10104/2P* E473.156	MX 1254 E473.151	MX 1274 E473.117	MX 12104/2P* E473.159	MX 12124/2P* E473.154	
MOUNTING PLATES		Polyester	300/420	E977.610	E977.611	E977.612	E977.613	E977.650	E977.614	E977.615	E977.616	E977.651	E977.617	Consult	Consult
		Metallic	300/420	E977.610-M	E977.611-M	E977.612-M	E977.613-M	E977.650-M	E977.614-M	E977.615-M	E977.616-M	E977.651-M	E977.617-M	Consult	Consult
		Galvanised steel frame	300	E947.267	E947.270	E947.267	E947.270	E947.268	E947.267	E947.270	E947.268	E947.267	E947.270	E947.268	E947.269
			420	E947.367	E947.370	E947.367	E947.370	E947.368	E947.367	E947.370	E947.368	E947.367	E947.370	E947.368	E947.369
		Polyester plinth, 60 mm height	300	E947.273	E947.274	E947.273	E947.274	E947.275	E947.273	E947.274	E947.275	E947.273	E947.274	E947.275	E947.276
			420	E947.373	E947.374	E947.373	E947.374	E947.375	E947.373	E947.374	E947.375	E947.373	E947.374	E947.375	E947.376
FLOOR MOUNTING SYSTEMS		Metallic plinth, 85 mm height	300	E947.285	E947.286	E947.285	E947.286	E947.287	E947.285	E947.286	E947.287	E947.285	E947.286	E947.287	E947.288
			420	E947.385	E947.386	E947.385	E947.386	E947.387	E947.385	E947.386	E947.387	E947.385	E947.386	E947.387	E947.388
		Polyester pedestal with hinged door, 500 mm height, to facilitate the fitting and control of cables	300	E947.446	E947.447	E947.446	E947.447	E947.448	E947.446	E947.447	E947.448	E947.446	E947.447	E947.448	E947.449
			420	E947.546	E947.547	E947.546	E947.547	E947.548	E947.546	E947.547	E947.548	E947.546	E947.547	E947.548	E947.549
		Polyester built-in floor pedestal with hinged door, 375 mm height	300	E947.246	E947.247	E947.246	E947.247	E947.248	E947.246	E947.247	E947.248	E947.246	E947.247	E947.248	E947.249
			420	E947.346	E947.346	E947.346	E947.347	E947.348	E947.346	E947.347	E947.348	E947.346	E947.347	E947.348	E947.349
		Floor brackets	300	E947.261		[Set of 2 pieces]									
			420	E947.361		[Set of 2 pieces]									

Cabinets are also available with:

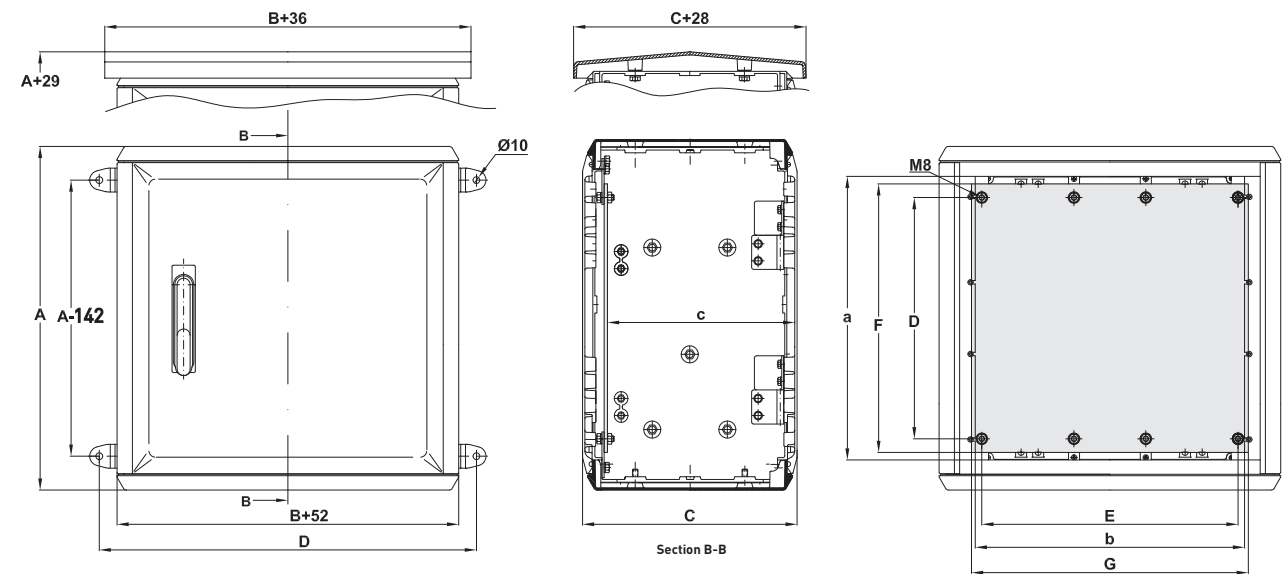
BOTTOM OPENING:
Add to the code and description -A

RAIN CANOPY:
Add to the code and description -T

GLAZED DOOR:
Add to the code and description -V

Example:
Ref. E473111-ATV = Cabinet of 500 mm height x 750 mm width x 420 mm depth, open bottom, with rain canopy and glazed door.

* 2-door enclosures are supplied with a central doorpost piece. On request it can be fixed, removable or integrated.



(mm)	Enclosure dimensions (mm)								Mounting plate	
	A	a	B	b	C	c	D	E	F	G
MX 553/554	510	412	500	405	312/420	274/382	353	375	393	405
MX 573/574	510	412	750	655	312/420	274/382	353	625	393	655
MX 753/754	760	662	500	405	312/420	274/382	603	375	634	405
MX 773/774	760	662	750	655	312/420	274/382	603	625	634	655
MX 7103/7104	760	662	1000	905	312/420	274/382	603	875	634	905
MX 1053/1054	1.010	912	500	405	312/420	274/382	853	375	893	405
MX 1073/1074	1.010	912	750	655	312/420	274/382	853	625	893	655
MX 10103/10104	1.010	912	1.000	905	312/420	274/382	853	875	893	905
MX 1253/1253	1.260	1.162	500	405	312/420	274/382	1.103	375	1143	405
MX 1273/1274	1.260	1.162	750	655	312/420	274/382	1.103	625	1143	655
MX 12103/12104	1.260	1.162	1.000	905	312/420	274/382	1.103	875	1143	905
MX 12123/12124	1.260	1.162	1.250	1.155	312/420	274/382	1.103	1.125	1.143	1.155

Accessories

Locks

Wide range of locking devices with swing handle to suit the complete range of enclosures.



(Standard)
Double-bit 3 mm
Ref. E947.253



With JIS barrel
Ref. E947.258
Europrofile without barrel
Ref. E947.259



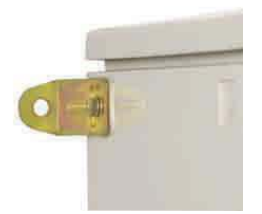
Triangular 11 mm
Ref. E947.254



Triangular 11 mm +
Padlocking handle
Ref. E947.255

Wall fixing lugs (Set of 4 pieces)

- For standard enclosures : Zinc coated Ref. E947.260
Inox Ref. E947.260-I
- For enclosures with rain canopy: Zinc coated Ref. E926.704
Inox Ref. E926.704-I



Door stop

Maximum door opening angle 105° Ref. E947.262



Ventilation device

To allow ventilation in the cabinet
Made of polyester.
(Two air vents must be mounted per enclosure to ensure the correct air circulation). Ref. E947.056



Document pocket

Self-adhesive Ref. E947.262



Step slides

Set of 4 step slides with brackets allowing continuous depth adjustment of the mounting plate.
• For cabinets 300 mm depth Ref. E947.310
• For cabinets 420 mm depth Ref. E947.311

