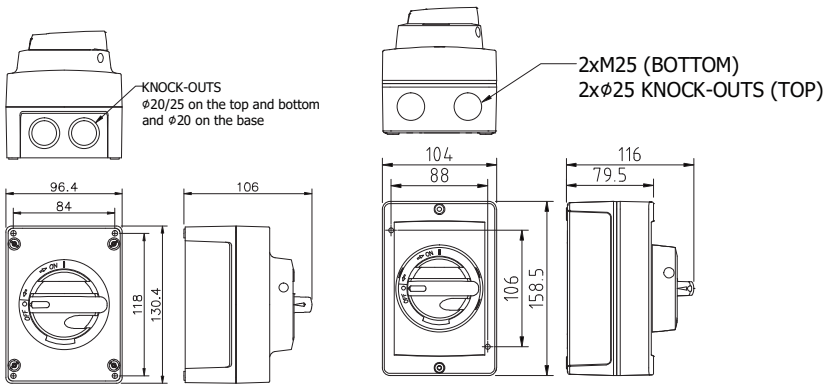


## ENCLOSED DC ISOLATOR SWITCH DISCONNECTOR



- Up to 32 A 1200 V DC, DC21B, and 32 A 1000 V DC, DC-PV2
- Available in Polycarbonate and Aluminium enclosures
- IP 66; Enclosure types U2 (PVM) and A2 (PVA)
- Self-extinguishing material
- Wide operating temperature range
- Padlockable
- Door interlock with defeat mechanism
- Excellent insulating properties
- Good UV resistance
- Good resistance against many chemicals



Accessories	Description	EAN code 6419410...
<b>Direct handles</b>		
K/ PV 2P	2 pole	...216347
K/ PV 4P	4 pole	...216316
<b>Door mounting kits</b>		
OKA/ PV 2.P	2 pole	...224908
OKA/ PV 4.P	4 pole	...224915
<b>Handles</b>		
LK 10	black handle	...222539
LK 10 Y/R	yellow/red handle	...222553
LK 10Y	yellow handle	...222799
<b>Shafts</b>		
L 100 AD11	100mm steel shaft	...253106
L 200 AD11	200mm steel shaft	...253113
L 300 AD11	300mm steel shaft	...253120

LOAD BREAK SWITCH		PV 216	PV 225	PV 232	PV 416	PV 425	PV 432	VKE 440 DC	VKE 6250 DC
SAFETY SWITCH, POLYCARBONATE, U2		PVM 216	PVM 225	PVM 232	PVM 416	PVM 425	PVM 432	VKEM 440U DC**	KEM 6250 DC***
SAFETY SWITCH, ALUMINIUM, A2		PVA 216	PVA 225	PVA 232	PVA 416	PVA 425	PVA 432		
Number of poles in series		2	2	2	4	4	4	4	6
Rated insulation voltage	$U_i$ [V]	1200	1200	1200	1200	1200	1200	1000	1000
Impulse withstand voltage	$U_{imp}$ [kV]	8	8	8	8	8	8	8	12
Rated thermal current, open air	$I_{th}$ [A]	16	25	32	16	25	32	40	200
Rated thermal current, enclosed ambient +40°C	$I_{the}$ [A]	16	25	32	16	25	32	40	200
Rated thermal current, enclosed ambient +60°C	$I_{the}$ [A]	16	25	32	16	25	32	40	200
Nominal values with cable sizes (mm <sup>2</sup> )		2.5	4	6	2.5	4	6	16	95
Rated operational current	$U_e$ [VDC]								
DC-21B / PV2*	300V	16/16*	25/20*	32/25*	16/16*	25/25*	32/32*	40	200
	400V	16/16*	25/20*	32/25*	16/16*	25/25*	32/32*	40	200
	500V	16/16*	25/20*	32/25*	16/16*	25/25*	32/32*	40	200
	600V	16/8*	25/10*	32/12*	16/16*	25/25*	32/32*	40	200
	700V	16/6*	20/8*	25/10*	16/16*	25/25*	32/32*	32	200
	800V	16/6*	20/8*	25/10*	16/16*	25/25*	32/32*	32	200
	900V	16/6*	20/8*	25/10*	16/16*	25/25*	32/32*	-	200
	1000V	16/6*	20/8*	25/10*	16/16*	25/25*	32/32*	-	200
1200V	10	12	16	16	25	32	-	-	
Rated short circuit making capacity	$I_{cm}$ [A]	1100	1100	1100	1100	1100	1100	3.3	7
Rated short time withstand current	$I_{sw}$ [A]	800	800	800	800	800	800	2.3	5
Mechanical endurance		20000	20000	20000	20000	20000	20000	20000	20000
Terminals / * Bolt size	Cu (mm <sup>2</sup> )	1.5-16	1.5-16	1.5-16	1.5-16	1.5-16	1.5-16	2.5-32	M10
Terminal torque	[Nm]	1.8	1.8	1.8	1.8	1.8	1.8	2.5	30-44

\*\*U4 enclosure, \*\*\*MFD4 enclosure