

Series D

Specifications

Regulations: DIN VDE 0627, DIN VDE 0110, DIN EN 61 984
Approvals: UR, CSA, SEV, MEIE, EZÚ, GOST
Standards: DIN EN 175 301-801
Number of poles: 7, 8, 15, 25, 40, 50 (2 x 25), 64, 80 (2 x 40), 128 (2 x 64) + PE

Electrical data acc. to DIN EN 61 984:

Rated current	10 A	250 V	4 kV	3
Rated voltage	_____			
Rated surge	_____			
Pollution degree	_____			
Pollution degree 2 also	10 A	230/400 V	4 kV	2
Rated voltage acc. to UL/CSA:	600 V			
Material:	Glass-fibre reinforced polyamide			
Temperature range:	- 40 °C up to + 125 °C			
Flame class rating acc. to UL 94:	V 0			
Mechanical operating life mating cycles:	> 500			

Contacts

Material: Copper alloy
Surface - hard silver-plated: 3 µm Ag
 - hard gold-plated: 2 µm Au over 3 µm Ni
Contact resistance: < 3 m Ω
Crimp terminal: 0,14 - 2,5 mm² (26 - 14) AWG

Plastic housings

Material: Glass-fibre reinforced polyamide
Locking levers: Polyamide
Flame class rating acc. to UL 94: V 0
Housing seal: NBR
Temperature range: - 40 °C up to + 125 °C
Protection degree acc. to DIN EN 60 529 in closed position: IP 44

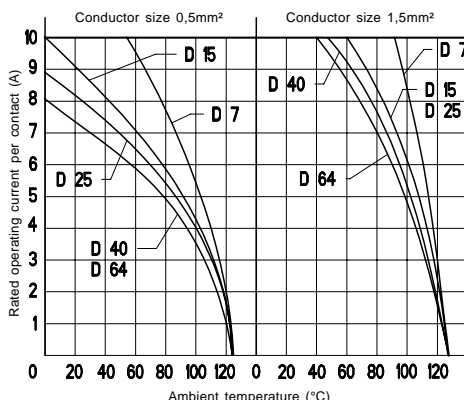
D 7 inserts only suitable for plastic housings!

Metal housings

Material: Die-cast aluminium
Surface: Powder-coated
Levers of double locking system: Stainless steel
Housing seal: NBR
Temperature range: - 40 °C up to + 125 °C
Protection degree acc. to DIN EN 60 529 in closed position:
 - D 7 and D 8: IP 44, IP 65¹⁾
 - D 15 up to D 128: IP 65

Application hint: Heavy duty connectors are electrical devices which under proper use - under load - should not be inserted or separated.

The derating diagram (corrected current capacity curve) acc. to DIN/IEC 512 applies to such kind of current which can - depending on ambient temperature and conductor size) circulate through each contact without exceeding the upper limiting temperature.



Specifications Series D 8

Electrical data
 DIN EN 61984
 10 A 50 V 0,8 kV 3

Rated voltage
 acc. to UL/CSA 50 V

Page

Inserts

D 7 pole + PE, D 7 modified 38
D 3 pole + PE

- short overview see page 86 -
 - matching housings see page 87 -



Inserts

D 8 pole 39

- short overview see page 86 -
 - matching housings see page 87 - 88 -



Inserts

D 15 pole + PE, D 15 modified,
D 7.1 pole + PE, D 5 pole + PE 40 - 41

- short overview see page 90 -
 - matching housings see page 91 - 92 -



Inserts

D 25 pole + PE, D 25 modified,
D 11 pole + PE 42 - 43

- short overview see page 94 -
 - matching housings see page 95 - 96 -



Inserts

D 40 pole + PE, D 40 modified
D 20 polig + PE,
D 16 polig + PE 44 - 45

- short overview see page 114 -
 - matching housings see page 115 - 122 -



Inserts

D 50 pole + PE, D 50 modified,
D 22 polig + PE 46

- short overview see page 98 -
 - matching housings see page 99 - 101 -



Inserts

D 64 pole + PE, D 64 modified
D 32 polig + PE, D 28 pole + PE 47 - 48

- short overview see page 124 -
 - matching housings see page 125 - 131 -



Inserts

D 80 pole + PE, D 80 modified
D 40.1 pole + PE, D 32.1 pole + PE 49 - 50

- short overview see page 132 -
 - matching housings see page 133 -





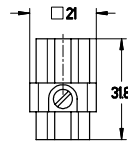

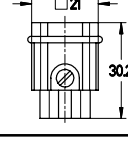
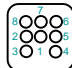
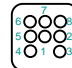



Inserts





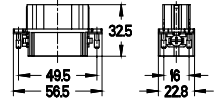

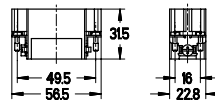
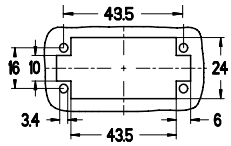
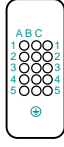
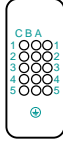
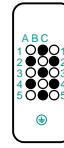
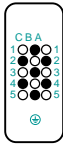
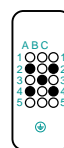
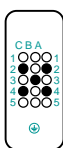
D 128 pole + PE, D 128 modified
D 64.1 pole + PE, D 56 pole + PE 51 - 52

- short overview see page 134 -
 - matching housings see page 137 -







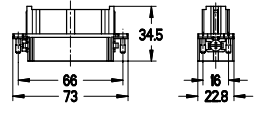

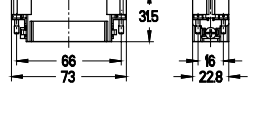
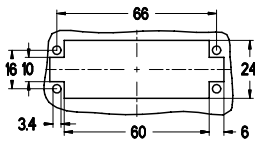
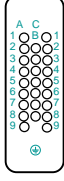


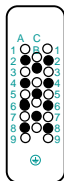
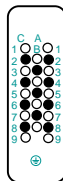

Description	Part No.	Series D	7 P + ⊕ 10 A / 250 V UL/CSA: 600 V	 	EAN-No. 4015609...						
Crimp contact carriers											
Contact carriers only for plastic housings for sleeve contacts	720 307			10 8	031450						
Please order crimp contacts and glass fibre cable contacts separately											
Contact carriers only for plastic housings for pin contacts	720 407			10 7	031511						
Please order crimp contacts and glass fibre cable contacts separately											
Contact arrangement											
D 7 complete with 7 + PE contacts rated voltage: 250 V											
B: Female insert S: Male insert											
D 7 modified: D 3 pole + PE											
D 7 complete with 3 + PE contacts rated voltage: 500 V											
view from termination side											
<table style="width: 100%; text-align: center;"> <tr> <td style="width: 50%;">B</td> <td style="width: 50%;">S</td> </tr> <tr> <td></td> <td></td> </tr> <tr> <td></td> <td></td> </tr> </table>						B	S				
B	S										
● working contact ○ without contact											
Contacts											
z conductor size marked by z											
Sleeve contacts D	silver-plated	gold-plated									
crimp-type	720 506	720 686		100							
solid, drilled	720 507	720 687		65	031603						
weight per 100	720 508	720 688		68	031610						
	720 509	720 689		70	031627						
	720 502	720 690		72	031634						
				62	031573						
Pin contacts D	silver-plated	gold-plated									
crimp-type	720 516	720 691		100							
solid, drilled	720 517	720 692		60	031672						
weight per 100	720 518	720 693		63	031689						
	720 519	720 694		65	031696						
	720 512	720 695		67	031702						
				70	031641						
Sleeve contact											
glass fibre cable for plastic cable	720 520			100							
solid, drilled				89	157839						
weight per 100											
Pin contact											
glass fibre cable for plastic cable	720 530			100							
solid, drilled				74	157846						
weight per 100											
Dummy contact sleeve											
for coding with loss of one contact	720 696			1							
				1	149445						
<i>In order to avoid the false plugging of similar contact inserts a coding system is required. The coding is achieved by inserting the dummy contact sleeve into a selected contact cavity of the female insert. The opposite male insert must not be equipped at this position.</i>											

Description	Part No.	Series D	8 P	 9	EAN-No. 4015609...
Crimp contact carriers					
Contact carrier for sleeve contacts	720 308			10 8	031467
Please order crimp contacts and glass fibre cable contacts separately					
Contact carrier for pin contacts	720 408			10 7	031528
Please order crimp contacts and glass fibre cable contacts separately					
Contact arrangement					
D 8 complete with 8 contacts rated voltage: 42 V					
B: Female insert S: Male insert					
view from termination side					
<div style="display: flex; justify-content: space-around;"> <div style="text-align: center;"> <p>B</p>  </div> <div style="text-align: center;"> <p>S</p>  </div> </div>					
Contacts					
Sleeve contacts D	silver-plated	gold-plated	z conductor size marked by z		
crimp-type	720 506	720 686	1	0,14 - 0,37 mm ²	26 - 22 AWG
solid, drilled	720 507	720 687	2	0,5 mm ²	20 AWG
weight per 100	720 508	720 688	3	0,75 - 1 mm ²	19 - 18 AWG
	720 509	720 689	4	1,5 mm ²	16 AWG
	720 502	720 690	5	2,5 mm ²	14 AWG
Pin contacts D	silver-plated	gold-plated	z conductor size marked by z		
crimp-type	720 516	720 691	1	0,14 - 0,37 mm ²	26 - 22 AWG
solid, drilled	720 517	720 692	2	0,5 mm ²	20 AWG
weight per 100	720 518	720 693	3	0,75 - 1 mm ²	19 - 18 AWG
	720 519	720 694	4	1,5 mm ²	16 AWG
	720 512	720 695	5	2,5 mm ²	14 AWG
Sleeve contact	720 520			POF* Ø 1 mm	100 89
glass fibre cable for plastic cables solid, drilled weight per 100					157839
Pin contact	720 530			POF* Ø 1 mm	100 74
glass fibre cable for plastic cable solid, drilled weight per 100					157846
Dummy contact sleeve	720 696				1 1
for coding with loss of one contact					149445
<i>In order to avoid the false plugging of similar contact inserts a coding system is required. The coding is achieved by inserting the dummy contact sleeve into a selected contact cavity of the female insert. The opposite male insert must not be equipped at this position.</i>					

Description	Part No.	Series D 15 P +  10 A / 250 V UL/CSA: 600 V	  EAN-No. 4015609...
Crimp contact carriers			
Contact carrier for sleeve contacts	720 315	 	10 29 031474
Contact carrier for pin contacts	720 415	 	10 29 031535
Contact arrangement		panel cut out view from termination side	
D 15 complete with 15 contacts rated voltage: 250 V B: Female insert S: Male insert		 <div style="display: flex; justify-content: space-around;"> <div data-bbox="1069 788 1141 1019"> <p>B</p>  </div> <div data-bbox="1197 788 1268 1019"> <p>S</p>  </div> </div>	
D 15 modified: D 7.1 pole + PE D 15 with 7 contacts rated voltage: 400 V		 	
D 15 modified: D 5 pole + PE D 15 with 5 contacts rated voltage: 500 V		 	
		● working contact ○ without contact	





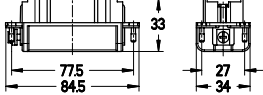

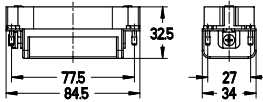
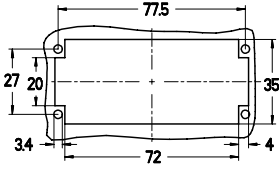
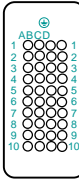
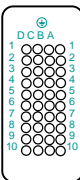
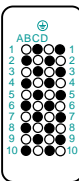
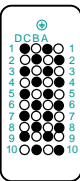
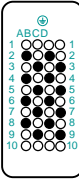
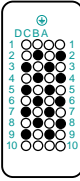
Description	Part No.		Series D 15 P +				EAN-No. 4015609...
Contacts				conductor size marked by z			
Sleeves D	silver-plated	gold-plated	z			100	
for Crimpanschluss	720 506	720 686	1	0,14 - 0,37 mm ²	26 - 22 AWG	65	031603
solid, drilled	720 507	720 687	2	0,5 mm ²	20 AWG	68	031610
weight per 100	720 508	720 688	3	0,75 - 1 mm ²	19 - 18 AWG	70	031627
	720 509	720 689	4	1,5 mm ²	16 AWG	72	031634
	720 502	720 690	5	2,5 mm ²	14 AWG	62	031573
Pins D	silver-plated	gold-plated				100	
for Crimpanschluss	720 516	720 691	1	0,14 - 0,37 mm ²	26 - 22 AWG	60	031672
solid, drilled	720 517	720 692	2	0,5 mm ²	20 AWG	63	031689
weight per 100	720 518	720 693	3	0,75 - 1 mm ²	19 - 18 AWG	65	031696
	720 519	720 694	4	1,5 mm ²	16 AWG	67	031702
	720 512	720 695	5	2,5 mm ²	14 AWG	70	031641
Sleeve						100	
glass fibre cable for plastic cable	720 520			POF* Ø 1 mm		89	157839
solid, drilled							
weight per 100							
Pin						100	
glass fibre cable for plastic cable	720 530			POF* Ø 1 mm		74	157846
solid, drilled							
weight per 100							

4

Description	Part No.	Series D 25 P +  10 A / 250 V UL/CSA: 600 V	  9 EAN-No. 4015609...
Crimp contact carriers			
Contact carrier for sleeve contacts	720 325	 	10 36 031481
Contact carrier for pin contacts	720 425	 	10 34 031542
Contact arrangement		panel cut out view from termination side	
D 25 complete with 25 contacts rated voltage: 250 V B: Female insert S: Male insert		 <div style="display: flex; justify-content: space-around;"> <div data-bbox="1069 788 1133 1041"> B  </div> <div data-bbox="1197 788 1260 1041"> S  </div> </div>	
D 25 modified: D 11 pole + PE  D 25 with 11 contacts rated voltage: 500 V		  	


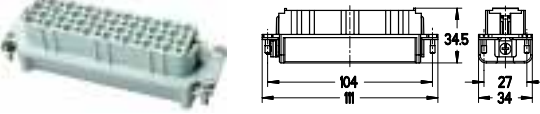
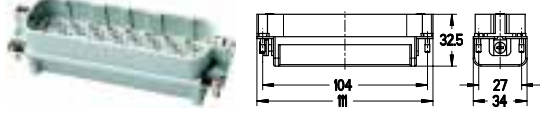
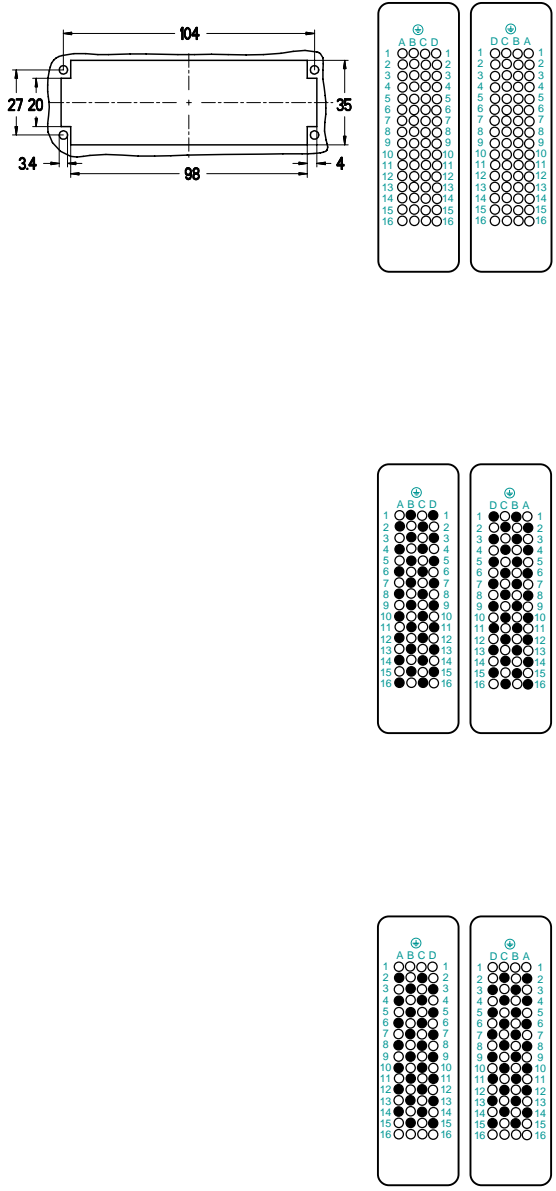
Description	Part No.	Series D				EAN-No. 4015609...		
		25 P +						
				10 A / 250 V UL/CSA: 600 V				
Contacts				conductor size marked by z				
				z				
Sleeve contacts D	silver-plated	gold-plated						
crimp-type	720 506	720 686		1	0,14 - 0,37 mm ²	26 - 22 AWG	65	031603
solid, drilled	720 507	720 687		2	0,5 mm ²	20 AWG	68	031610
weight per 100	720 508	720 688		3	0,75 - 1 mm ²	19 - 18 AWG	70	031627
	720 509	720 689		4	1,5 mm ²	16 AWG	72	031634
	720 502	720 690		5	2,5 mm ²	14 AWG	62	031573
							100	
Pin contacts D	silver-plated	gold-plated						
crimp-type	720 516	720 691		1	0,14 - 0,37 mm ²	26 - 22 AWG	60	031672
solid, drilled	720 517	720 692		2	0,5 mm ²	20 AWG	63	031689
weight per 100	720 518	720 693		3	0,75 - 1 mm ²	19 - 18 AWG	65	031696
	720 519	720 694		4	1,5 mm ²	16 AWG	67	031702
	720 512	720 695		5	2,5 mm ²	14 AWG	70	031641
							100	
Sleeve contacts								
glass fibre cable for plastic cables	720 520				POF* Ø 1 mm		89	157839
solid, drilled								
weight per 100								
							100	
Pin contacts								
glass fibre cable for plastic cables	720 530				POF* Ø 1 mm		74	157846
solid, drilled								
weight per 100								

4

Description	Part No.	Series D 40 P +  10 A / 250 V UL/CSA: 600 V	  9 EAN-No. 4015609...
Crimp contact carriers			
Contact carrier for sleeve contacts	720 340	 	10 64 031498
Please order crimp contacts and contacts for glass fibre cables separately			
Contact carrier for pin contacts	720 440	 	10 57 031559
Please order crimp contacts and contacts for glass fibre cables separately			
Contact arrangement		panel cut out view from termination side	
D 40 complete with 40 contacts rated voltage: 250 V B: Female insert		 <div style="display: flex; justify-content: space-around;"> <div data-bbox="1061 795 1149 1019"> <p style="text-align: center;">B</p>  </div> <div data-bbox="1181 795 1268 1019"> <p style="text-align: center;">S</p>  </div> </div>	
D 40 modified: D 20 pole + PE D 40 with 20 contacts rated voltage: 400 V		 	
D 40 modified: D 16 pole + PE D 40 with 16 contacts rated voltage: 500 V		 	
		● working contact ○ without contact	





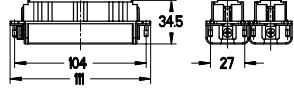

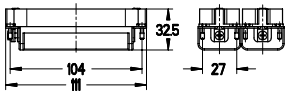
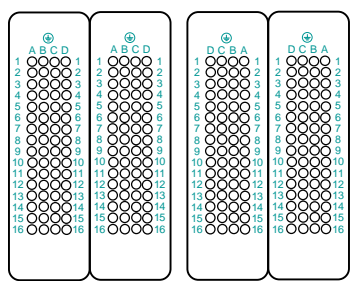
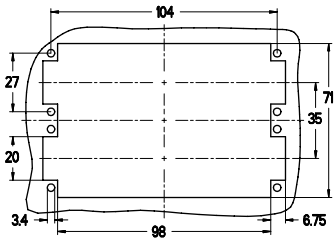
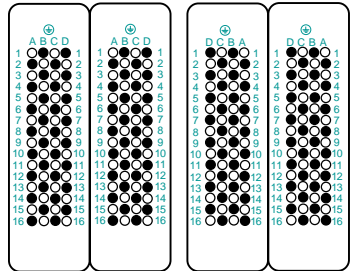
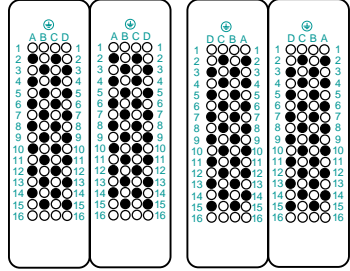
Description	Part No.		Series D	40 P +		EAN-No. 4015609...
Contacts				conductor size marked by z		
Sleeve contacts D	silver-plated	gold-plated				
crimp-type	720 506	720 686	1	0,14 - 0,37 mm ²	26 - 22 AWG	031603
solid, drilled	720 507	720 687	2	0,5 mm ²	20 AWG	031610
weight per 100	720 508	720 688	3	0,75 - 1 mm ²	19 - 18 AWG	031627
	720 509	720 689	4	1,5 mm ²	16 AWG	031634
	720 502	720 690	5	2,5 mm ²	14 AWG	031573
Pin contacts D	silver-plated	gold-plated				
crimp-type	720 516	720 691	1	0,14 - 0,37 mm ²	26 - 22 AWG	031672
solid, drilled	720 517	720 692	2	0,5 mm ²	20 AWG	031689
weight per 100	720 518	720 693	3	0,75 - 1 mm ²	19 - 18 AWG	031696
	720 519	720 694	4	1,5 mm ²	16 AWG	031702
	720 512	720 695	5	2,5 mm ²	14 AWG	031641
Sleeve contact						
glass fibre cable for plastic cable	720 520			POF* Ø 1 mm		
solid, drilled						
weight per 100						
Pin contact						
glass fibre cable for plastic cable	720 530			POF* Ø 1 mm		
solid, drilled						
weight per 100						
				*POF= Polymer Optical Fibre		
Wiring adapters						
Female insert						
earth pin left	720 633					
0,2 - 2,5 mm ² (26-14 AWG)						
Male insert						
earth pin left	720 632					
0,2 - 2,5 mm ² (26-14 AWG)						
Combi snap element						
2 pieces per adapter needed	710 807					

Description	Part No.		Series D 50 P + 10 A / 250 V UL/CSA: 600 V	 9	EAN-No. 4015609...																																				
Crimp contact carriers																																									
Contact carrier for sleeve contacts	2 x 720 325		 	10 36	031481																																				
Please order crimp contacts and contacts for glass fibre cables separately																																									
Contact carrier for pin contacts	2 x 720 425		 	10 34	031542																																				
Please order crimp contacts and contacts for glass fibre cables separately																																									
Contact arrangement			panel cut out view from termination side																																						
D 50 complete with 50 contacts rated voltage: 250 V B: Female insert S: Male insert			 																																						
D 50 modified: D 22 pole + PE D 50 with 2 x 11 contacts rated voltage: 500 V			 ● working contact ○ without contact																																						
Contacts			conductor size marked by z																																						
Sleeve contacts D crimp-type solid, drilled weight per 100			<table border="1"> <thead> <tr> <th>z</th> <th>0,14 - 0,37 mm²</th> <th>0,5 mm²</th> <th>0,75 - 1 mm²</th> <th>1,5 mm²</th> <th>2,5 mm²</th> </tr> </thead> <tbody> <tr> <td>1</td> <td>26 - 22 AWG</td> <td></td> <td></td> <td></td> <td></td> </tr> <tr> <td>2</td> <td>20 AWG</td> <td></td> <td></td> <td></td> <td></td> </tr> <tr> <td>3</td> <td>19 - 18 AWG</td> <td></td> <td></td> <td></td> <td></td> </tr> <tr> <td>4</td> <td>16 AWG</td> <td></td> <td></td> <td></td> <td></td> </tr> <tr> <td>5</td> <td>14 AWG</td> <td></td> <td></td> <td></td> <td></td> </tr> </tbody> </table>	z	0,14 - 0,37 mm ²	0,5 mm ²	0,75 - 1 mm ²	1,5 mm ²	2,5 mm ²	1	26 - 22 AWG					2	20 AWG					3	19 - 18 AWG					4	16 AWG					5	14 AWG					100 65 68 70 72 62	031603 031610 031627 031634 031573
z	0,14 - 0,37 mm ²	0,5 mm ²	0,75 - 1 mm ²	1,5 mm ²	2,5 mm ²																																				
1	26 - 22 AWG																																								
2	20 AWG																																								
3	19 - 18 AWG																																								
4	16 AWG																																								
5	14 AWG																																								
Pin contacts D crimp-type solid, drilled weight per 100			<table border="1"> <thead> <tr> <th>z</th> <th>0,14 - 0,37 mm²</th> <th>0,5 mm²</th> <th>0,75 - 1 mm²</th> <th>1,5 mm²</th> <th>2,5 mm²</th> </tr> </thead> <tbody> <tr> <td>1</td> <td>26 - 22 AWG</td> <td></td> <td></td> <td></td> <td></td> </tr> <tr> <td>2</td> <td>20 AWG</td> <td></td> <td></td> <td></td> <td></td> </tr> <tr> <td>3</td> <td>19 - 18 AWG</td> <td></td> <td></td> <td></td> <td></td> </tr> <tr> <td>4</td> <td>16 AWG</td> <td></td> <td></td> <td></td> <td></td> </tr> <tr> <td>5</td> <td>14 AWG</td> <td></td> <td></td> <td></td> <td></td> </tr> </tbody> </table>	z	0,14 - 0,37 mm ²	0,5 mm ²	0,75 - 1 mm ²	1,5 mm ²	2,5 mm ²	1	26 - 22 AWG					2	20 AWG					3	19 - 18 AWG					4	16 AWG					5	14 AWG					100 60 63 65 67 70	031672 031689 031696 031702 031641
z	0,14 - 0,37 mm ²	0,5 mm ²	0,75 - 1 mm ²	1,5 mm ²	2,5 mm ²																																				
1	26 - 22 AWG																																								
2	20 AWG																																								
3	19 - 18 AWG																																								
4	16 AWG																																								
5	14 AWG																																								
Sleeve contact glass fibre cable for plastic cable solid, drilled weight per 100			 POF* Ø 1 mm	100 89	157839																																				
Pin contact glass fibre cable for plastic cable solid, drilled weight per 100			 POF* Ø 1 mm	100 74	157846																																				

Description	Part No.	Series D 64 P + PE 10 A / 250 V UL/CSA: 600 V	 EAN-No. 4015609...
Crimp contact carriers			10 83 031504
Contact carrier for sleeve contacts 720 364 Please order crimp contacts and contacts for glass fibre cables separately			10 68 031566
Contact carrier for pin contacts 720 464 Please order crimp contacts and contacts for glass fibre cables separately		<p>panel cut out view from termination side</p> <p>B S</p>  <p>● working contact ○ without contact</p>	
Contact arrangement D 64 complete with with 64 contacts rated voltage: 250 V B: Female insert S: Male insert			
D 64 modified: D 32 pole + PE D 64 with 32 contacts rated voltage: 400 V			
D 64 modified: D 28 pole + PE D 64 with 28 contacts rated voltage: 500 V			

Description	Part No.	Series D 80 P + 10 A / 250 V UL/CSA: 600 V	9 EAN-No. 4015609...
Crimp contact carriers			10 64 031498
Contact carrier for sleeve contacts 2 x 720 340	Please order crimp contacts and contacts for glass fibre cables separately		10 54 031559
Contact carrier for pin contacts 2 x 720 440	Please order crimp contacts and contacts for glass fibre cables separately	<p>panel cut out view from termination side</p> <p>B S</p>	
D 80 modified: D 40.1 pole + PE			
D 80 with 2 x 20 contacts Rated voltage: 400 V			
D 80 modified: D 32.1 pole + PE		<p>● working contact ○ without contact</p>	
D 80 with 2 x 16 contacts Rated voltage: 500 V			

Description	Part No.		Series D	80 P +		EAN-No.
				10 A / 250 V UL/CSA: 600 V		4015609...
Contacts				conductor size marked by z		
Sleeve contacts D	silver-plated	gold-plated			100	
crimp-type	720 506	720 686		1 0,14 - 0,37 mm ²	26 - 22 AWG	65 031603
solid, drilled	720 507	720 687		2 0,5 mm ²	20 AWG	68 031610
weight per 100	720 508	720 688		3 0,75 - 1 mm ²	19 - 18 AWG	70 031627
	720 509	720 689		4 1,5 mm ²	16 AWG	72 031634
	720 502	720 690		5 2,5 mm ²	14 AWG	62 031573
Pin contacts D	silver-plated	gold-plated			100	
crimp-type	720 516	720 691		1 0,14 - 0,37 mm ²	26 - 22 AWG	60 031672
solid, drilled	720 517	720 692		2 0,5 mm ²	20 AWG	63 031689
weight per 100	720 518	720 693		3 0,75 - 1 mm ²	19 - 18 AWG	65 031696
	720 519	720 694		4 1,5 mm ²	16 AWG	67 031702
	720 512	720 695		5 2,5 mm ²	14 AWG	70 031641
Sleeve contact					100	
glass fibre cable for plastic cable	720 520			POF* Ø 1 mm	89	157839
solid, drilled						
weight per 100						
Pin contact					100	
glass fibre cable for plastic cable	720 530			POF* Ø 1 mm	74	157846
solid, drilled						
weight per 100						

Description	Part No.	Series D 128 P +  10 A / 250 V UL/CSA: 600 V	  9 EAN-No. 4015609...
Crimp contact carriers		 	10 82 031504
Contact carrier for sleeve contacts 2 x 720 364	Please order crimp contacts and contacts for plastic cables separately	 	10 67 031566
Contact carrier for pin contacts 2 x 720 464	Please order crimp contacts and contacts for plastic cables separately	<p>panel cut out view from termination side</p> <p>B S</p>  	
D 128 modified: D 64.1 pole + PE			
D 128 with 2 x 32 contacts rated voltage: 400 V			
D 128 modified: D 56 pole + PE		 <p>● working contact ○ without contact</p>	
D 128 with 2 x 28 contacts rated voltage: 500 V			

Description	Part No.		Series D		128 P +		EAN-No.	
					10 A / 250 V UL/CSA: 600 V		4015609...	
Contacts				conductor size marked by z				
Sleeve contacts D	silver-plated	gold-plated				100		
crimp-type	720 506	720 686		1	0,14 - 0,37 mm ²	26 - 22 AWG	65	031603
solid, drilled	720 507	720 687		2	0,5 mm ²	20 AWG	68	031610
weight per 100	720 508	720 688		3	0,75 - 1 mm ²	19 - 18 AWG	70	031627
	720 509	720 689		4	1,5 mm ²	16 AWG	72	031634
	720 502	720 690		5	2,5 mm ²	14 AWG	62	031573
Pin contacts D	silver-plated	gold-plated				100		
crimp-type	720 516	720 691		1	0,14 - 0,37 mm ²	26 - 22 AWG	60	031672
solid, drilled	720 517	720 692		2	0,5 mm ²	20 AWG	63	031689
price and weight per 100	720 518	720 693		3	0,75 - 1 mm ²	19 - 18 AWG	65	031696
	720 519	720 694		4	1,5 mm ²	16 AWG	67	031702
	720 512	720 695		5	2,5 mm ²	14 AWG	70	031641
Sleeve contact						100		
glass fibre cable for plastic cable	720 520				POF* Ø 1 mm	89	157839	
solid, drilled								
weight per 100								
Pin contact						100		
glass fibre cable for plastic cable	720 530				POF* Ø 1 mm	74	157846	
solid, drilled								
weight per 100								