

FAN35 VENTILATING UNITS WITH FILTER

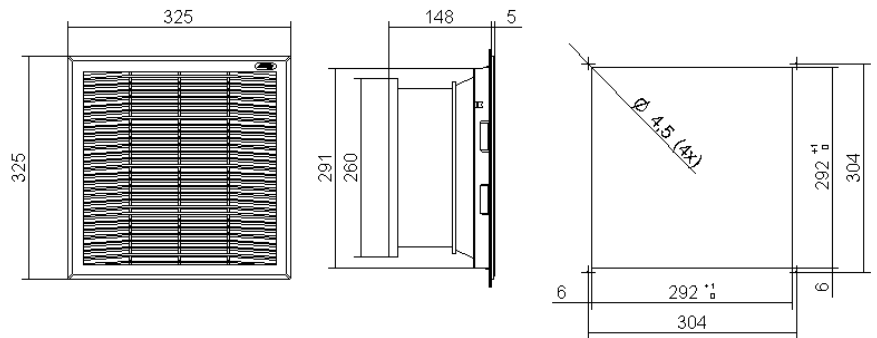
Characteristics	M.U.	FIL35XNOB	FAN35BNOB	FAN35CNOB	FAN35LNOB
Air flow rate	m ³ /h	-	520/580	520/580	520/580
Power supply	V ~ Hz	-	230 1~ 50-60	115 1~ 50-60	400 3~ 50-60
Dimensions HxWxD	mm	325x325x28	325x325x153	325x325x153	325x325x153
Absorbed electric power	W	-	67/90	50/64	71/93
Max. current	A	-	0,3/0,36	0,54/0,65	0,16/0,16
Over current protection	-	-	Inside motor	Inside motor	Inside motor
Electrical connection	-	-	Faston	Faston	Faston
Duty cycle	-	-	100%	100%	100%
Temperature limits	°C	-30 +75	-10 +50	-10 +55	-10 +50
Protection level EN60529	-	IP44	IP44	IP44	IP44
Noise level	dB (A)	-	61/63	61/63	65/67
FAN + FIL capacity	m ³ /h	-	1x FIL35XNOB: 387/431	1x FIL35XNOB: 387/431	1x FIL35XNOB: 387/431
Direction of the air flow	-	-	Outside towards the inside Reversible	Outside towards the inside Reversible	Outside towards the inside Reversible
Filter (Eurovent 4/9)	-	EU3	EU3	EU3	EU3
Motor support	-	-	Bearings	Bearings	Bearings
Conformity	-	CE	CE	CE	CE
Colour	-	RAL 7035 orange peel effect			

Accessories/Options	
Pack of 10 cloth filters for FAN35	AAFFN35
Pack of 10 cloth filters for FAN35 high filtering capacity	AAFFH35
0-60°C thermostat, NO 10A	AAFTO12
5-60°C thermostat, change-over contact 10A	AAWTS10
Hose-proof hood for IP55 protection level	C12001230

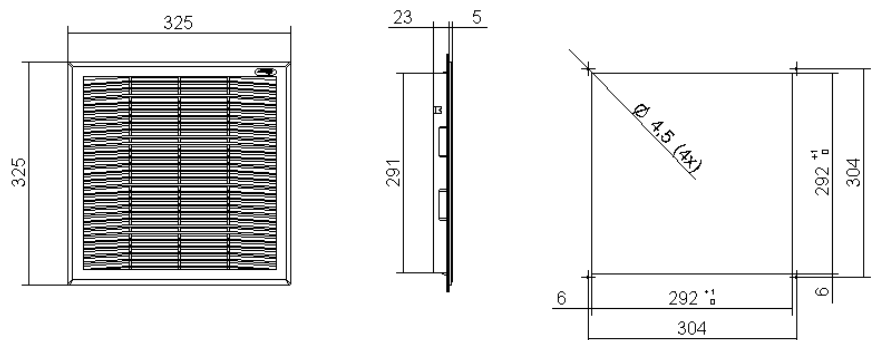
REMARK : The drilling templates are merely indicative.
Always put in touch with our technical-sales department for further explanation you should need.



FAN35



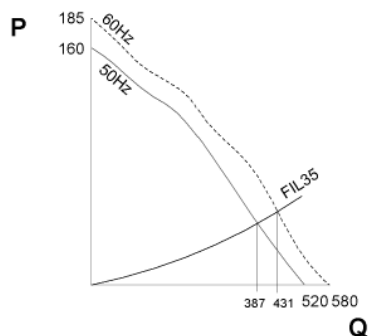
FIL35



Dimensions

Drilling templates

Performances



P = Static pressure (Pa)
Q = Air flow rate (m³/h)