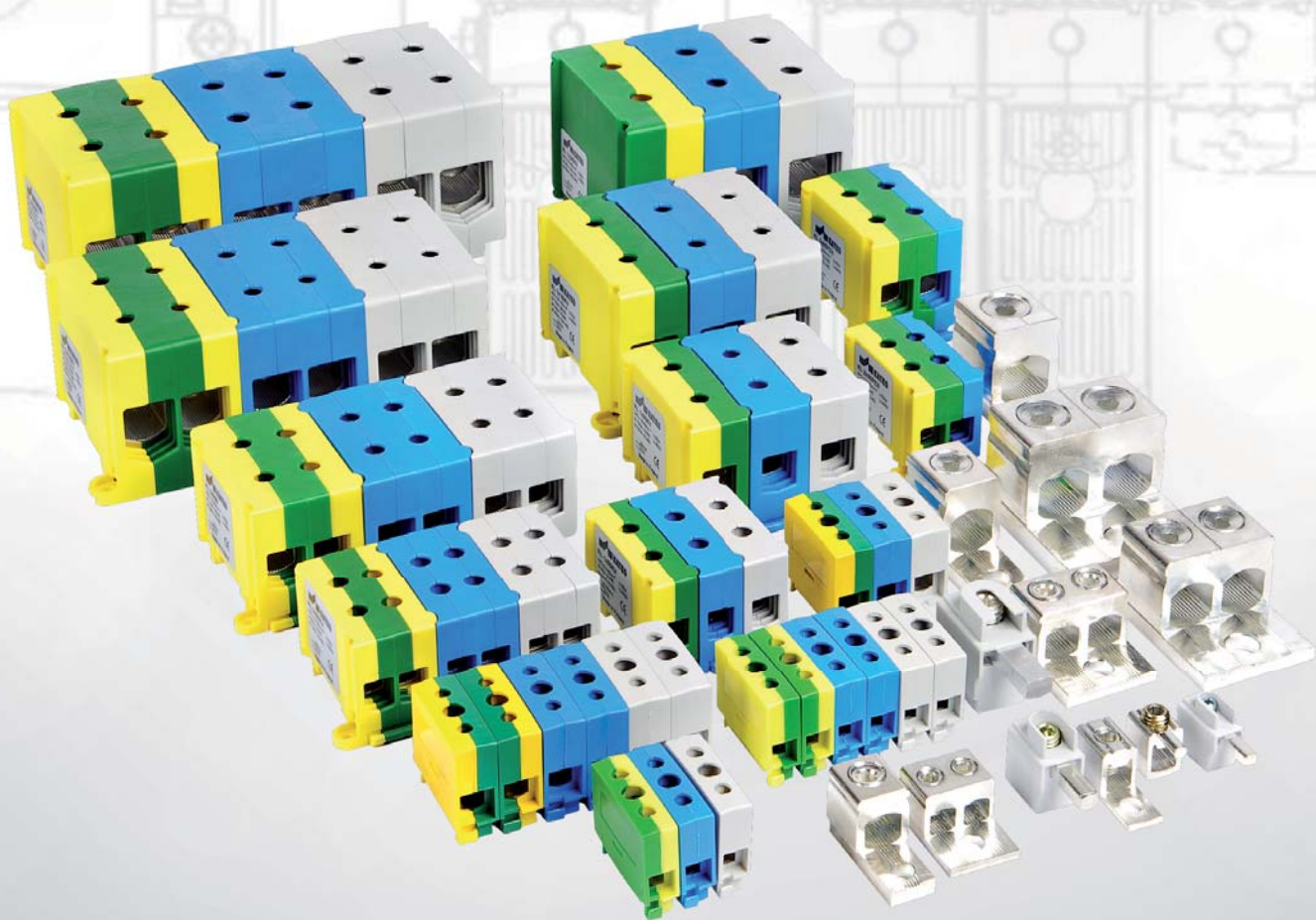


*easy to install*



**CABLE CONNECTORS AND TERMINAL BLOCKS**

## CABLE CONNECTORS

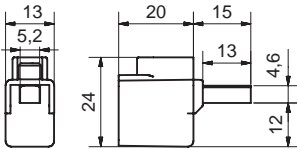
- Suitable for 1.5-240 mm<sup>2</sup> Al/Cu cables:
- Material: tin-coated aluminium
- In accordance with VDE 0220 part 1/11.71 and 2/11.71, SEN 24 15 10, SEN 24 50 12, SFS 2663 and IEC 61238-1
- Environmentally friendly materials



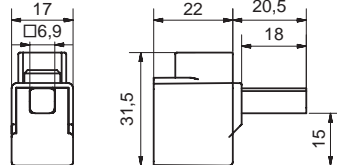
Type	Un (V)	In (A)	Al mm <sup>2</sup>	Cu mm <sup>2</sup>	Torque Al/Cu (Nm)	Number of conductors	Allen key size	Mounting	EAN-code	Weight (kg)
KKL 1x16	690	63	1.5-16	1.5-16	2.5	1	Hex 3	Direct	6419410358887	0,010
KKL 1x50	690	63	16-50	2.5-50	6 (2.5-6 mm <sup>2</sup> )	1	Hex 5	Direct	6419410358108	0,019
KKL 1x50M					12 (10-50 mm <sup>2</sup> )				6419410358122	
KKL 1x120T.1	690	160	16-120	16-120	12 (16-35 mm <sup>2</sup> )	1	Hex 6	Direct	6419410358962	0,037
KKL 1x120T.2					22 (50-120 mm <sup>2</sup> )				6419410358986	
KKL 1x120T.3					22 (50-120 mm <sup>2</sup> )				6419410359006	
KKL 1x120TM					22 (50-120 mm <sup>2</sup> )				6419410358375	
KKL 1x50R	690	160	16-50	2.5-50	6 (2.5-6 mm <sup>2</sup> ) 12 (10-50 mm <sup>2</sup> )	1	Hex 5	Bolt M8	6419410358894	0,011
KKL 2x50	690	320	16-50	16-50	6 (2.5-6 mm <sup>2</sup> ) 12 (10-50 mm <sup>2</sup> )	2	Hex 5	Bolt M8	6419410358900	0,023
KKL 1x95	690	200	25-95	25-95	12 (25-50 mm <sup>2</sup> )	1	Hex 6	Bolt M8	6419410358924	0,030
KKL 2x95		400			22 (70-95 mm <sup>2</sup> )				2	
KKL 1x150	690	315	25-150	25-150	12 (25-50 mm <sup>2</sup> )	1	Hex 6	Bolt M10	6419410359020	0,073
KKL 2x150		630			22 (70-95 mm <sup>2</sup> ) 35 (120-150 mm <sup>2</sup> )				2	
KKL 1x240	690	400	35-240	35-240	25 (35-120 mm <sup>2</sup> )	1	Hex 6	Bolt M12	6419410359068	0,113
KKL 2x240		800			55 (150-240 mm <sup>2</sup> )				2	

## DIMENSIONAL DRAWINGS

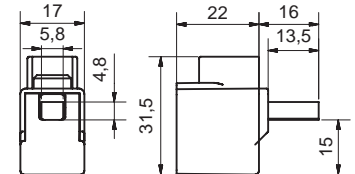
KKL 1x16



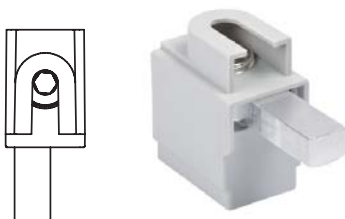
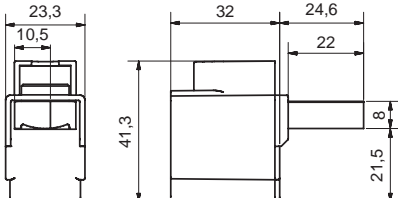
KKL 1x50



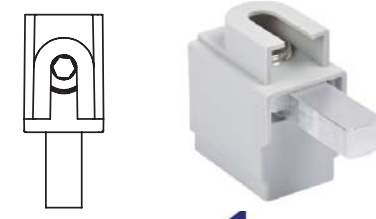
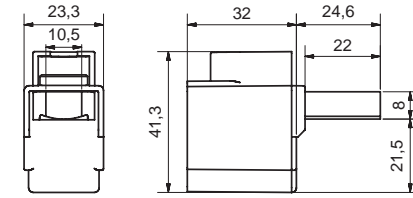
KKL 1x50M



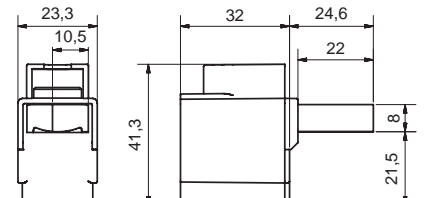
KKL 1x120T1



KKL 1x120T2

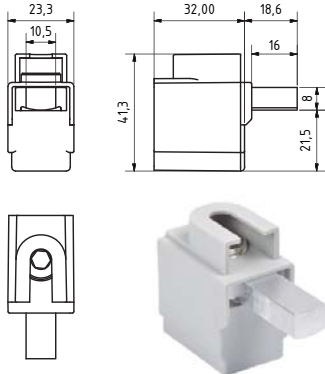


KKL 1x120T3

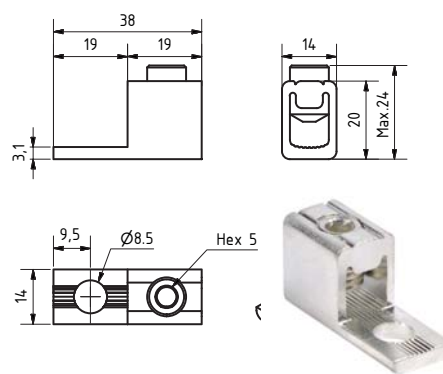


## CABLE CONNECTORS DIMENSIONAL DRAWINGS

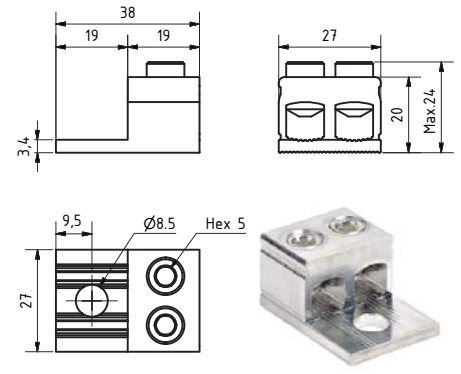
**KKL 1x120TM**



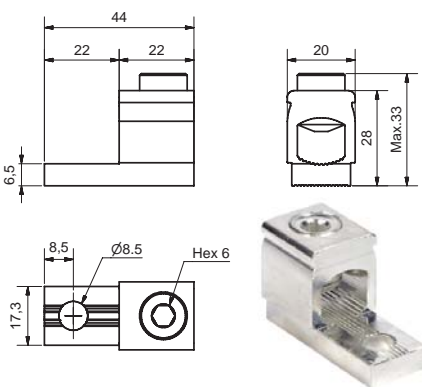
**KKL 1x50R**



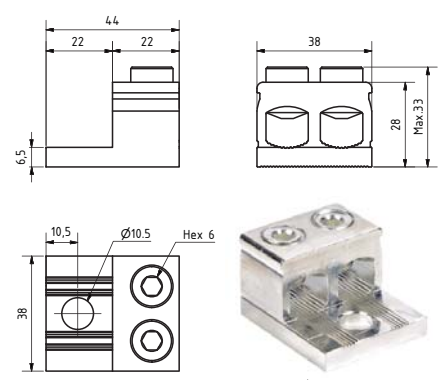
**KKL 2x50**



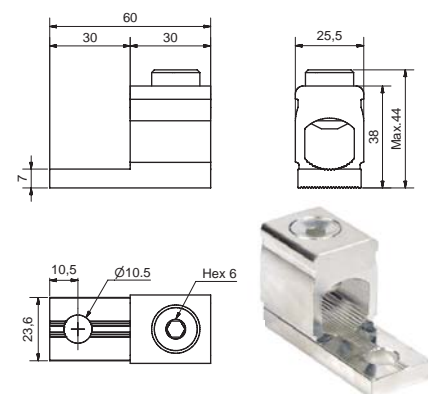
**KKL 1x95**



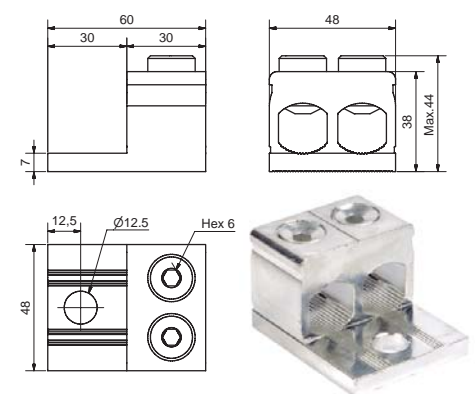
**KKL 2x95**



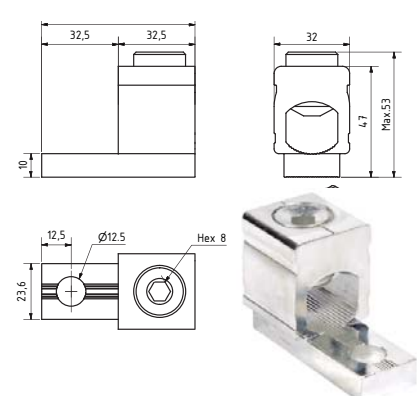
**KKL 1x150**



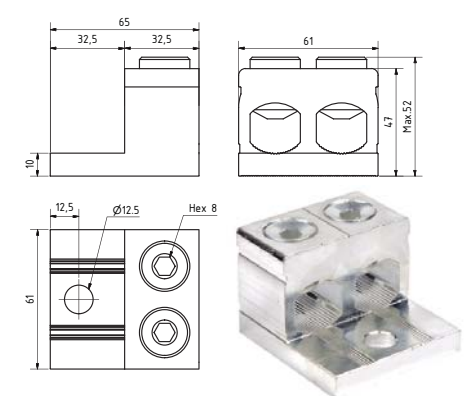
**KKL 2x150**



**KKL 1x240**



**KKL 2x240**



## TERMINAL BLOCKS

- For 1,5-35 mm<sup>2</sup> Cu cables
- 2,5-240 mm<sup>2</sup> Al/Cu cables
- Available in grey, blue (N) and yellow/green (PE)
- Touchproof, IP 20
- Housing and cover in polyamide
- Terminal material tin-coated, greased aluminium
- KC-terminals 16-35 for DIN-rail mounting
- KL-terminals 50-95 for DIN-rail or base mounting
- KL-terminals 150-240 for base mounting
- Environmentally friendly materials

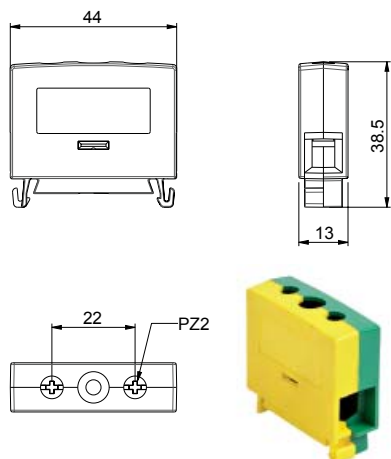


Type	Un (V)	In (A)	Al/Cu mm <sup>2</sup>	Torque Al/Cu (Nm)	Number of conductors	Key size	Mounting	EAN-code	Weight (kg)
KC 1x16 KC 1x16N KC 1x16PE	800	63	1.5-16*	1.8	2	PZ2	DIN	6419410357200 6419410357217 6419410357224	0,021
KC 2x16 KC 2x16N KC 2x16PE	800	125	1.5-16*	1.8	4	PZ2	DIN	6419410357507 6419410357514 6419410357521	0,047
KC 1x35 KC 1x35N KC 1x35PE	800	135	2.5-35*	2.5	2	PZ2	DIN	6419410357231 6419410357248 6419410357255	0,030
KC 2x35 KC 2x35N KC 2x35PE	800	270	2.5-35*	2.5	4	PZ2	DIN	6419410357538 6419410357545 6419410357552	0,069
KL 1x50 KL 1x50N KL 1x50PE	800	160	2.5-50	6 (2.5-6 mm <sup>2</sup> ) 12 (10-50 mm <sup>2</sup> )	2	Hex 5	screw/DIN	6419410357262 6419410357279 6419410357286	0,040
KL 2x50 KL 2x50N KL 2x50PE	800	320	2.5-50	6 (2.5-6 mm <sup>2</sup> ) 12 (10-50 mm <sup>2</sup> )	4	Hex 5	screw/DIN	6419410357293 6419410357309 6419410357316	0,066
KL 1x95 KL 1x95N KL 1x95PE	800	200	16-95	12 (16-50 mm <sup>2</sup> ) 22 (70-95 mm <sup>2</sup> )	2	Hex 6	screw/DIN	6419410357323 6419410357330 6419410357347	0,074
KL 2x95 KL 2x95N KL 2x95PE	800	400	16-95	12 (16-50 mm <sup>2</sup> ) 22 (70-95 mm <sup>2</sup> )	4	Hex 6	screw/DIN	6419410357354 6419410357361 6419410357378	0,137
KL 1x150 KL 1x150N KL 1x150PE	800	315	25-150	12 (25-50 mm <sup>2</sup> ) 22 (70-95 mm <sup>2</sup> ) 35 (120-150 mm <sup>2</sup> )	2	Hex 6	screw	6419410357385 6419410357392 6419410357408	0,149
KL 2x150 KL 2x150N KL 2x150PE	800	630	25-150	12 (25-50 mm <sup>2</sup> ) 22 (70-95 mm <sup>2</sup> ) 35 (120-150 mm <sup>2</sup> )	4	Hex 6	screw	6419410357415 6419410357422 6419410357439	0,260
KL 1x240 KL 1x240N KL 1x240PE	800	400	35-240	25 (35-120 mm <sup>2</sup> ) 55 (150-240 mm <sup>2</sup> )	2	Hex 8	screw	6419410357446 6419410357453 6419410357460	0,225
KL 2x240 KL 2x240N KL 2x240PE	800	800	35-240	25 (35-120 mm <sup>2</sup> ) 55 (150-240 mm <sup>2</sup> )	4	Hex 8	screw	6419410357477 6419410357484 6419410357491	0,380

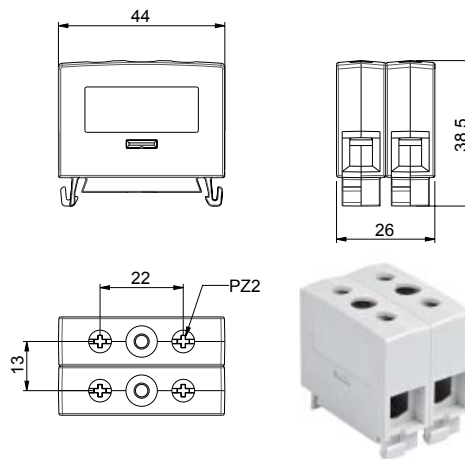
\*Only copper cables

## TERMINAL BLOCKS DIMENSIONAL DRAWINGS

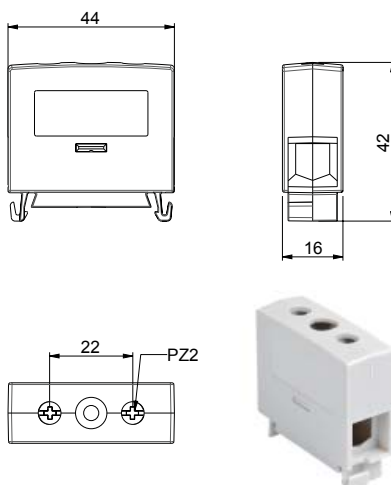
**KC 1x16**



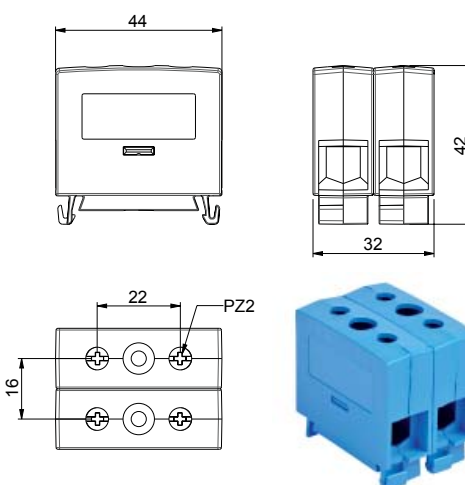
**KC 2x16**



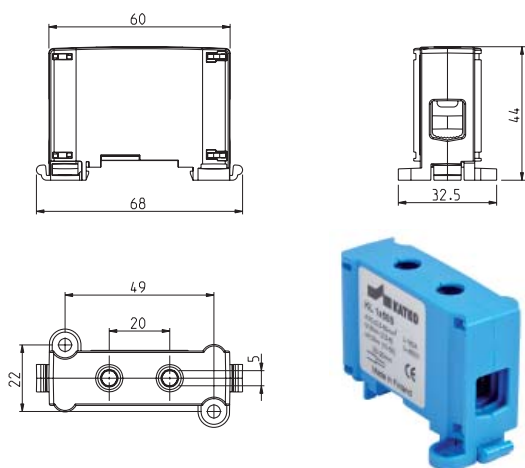
**KC 1x35**



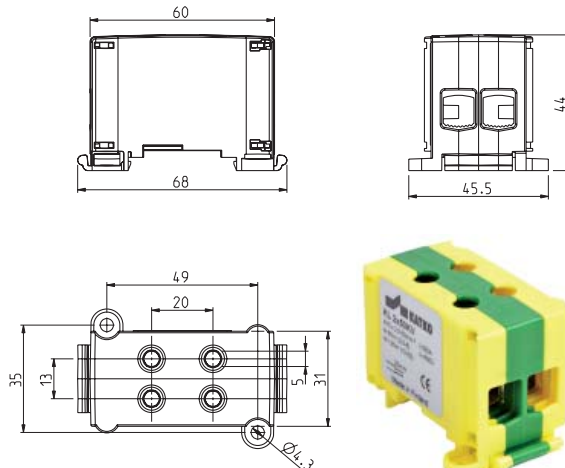
**KC 2x35**



**KL 1x50**

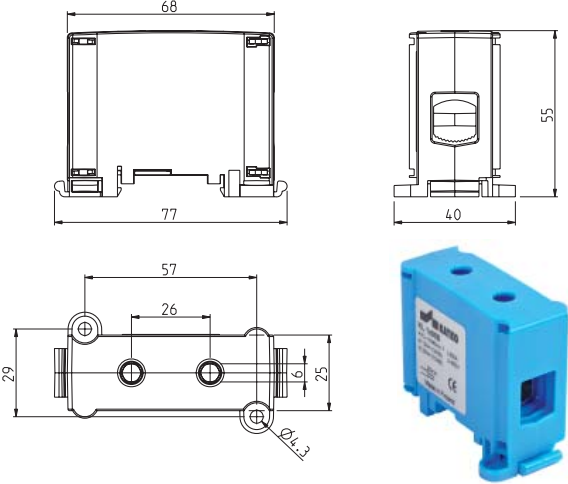


**KL 2x50**

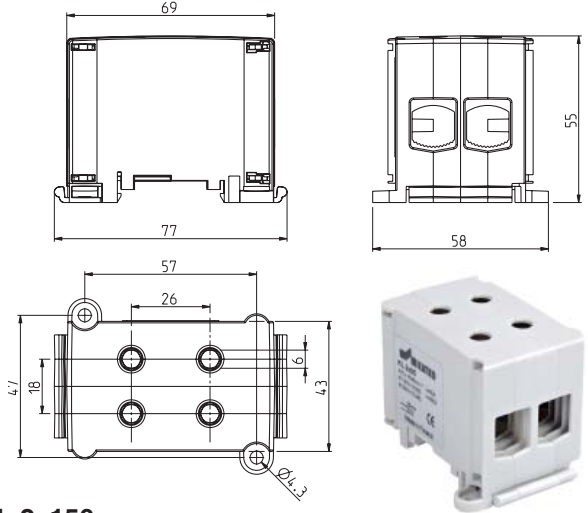


## TERMINAL BLOCKS DIMENSIONAL DRAWINGS

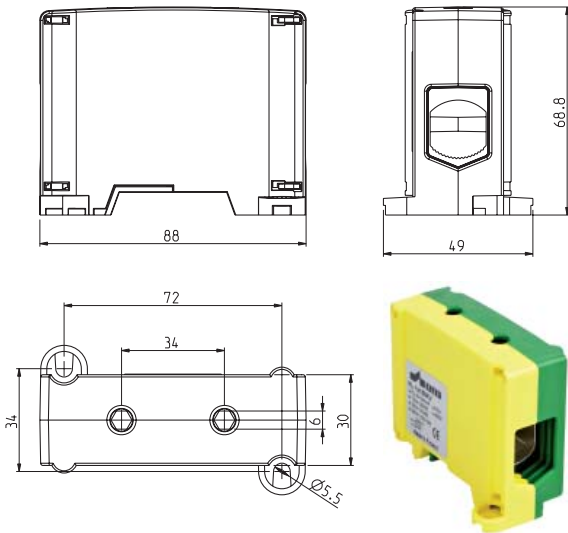
**KL 1x95**



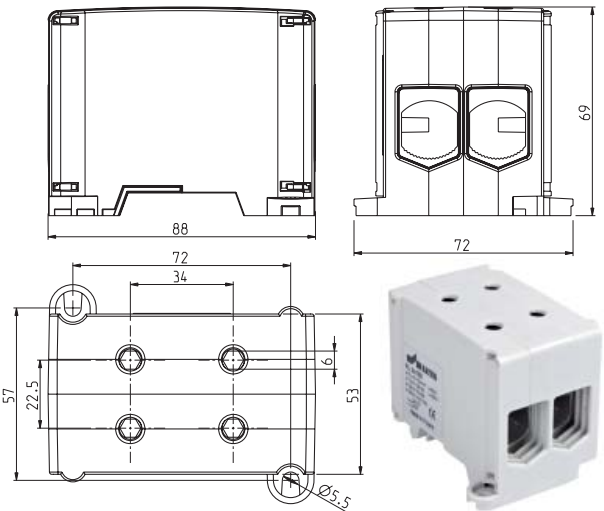
**KL 2x95**



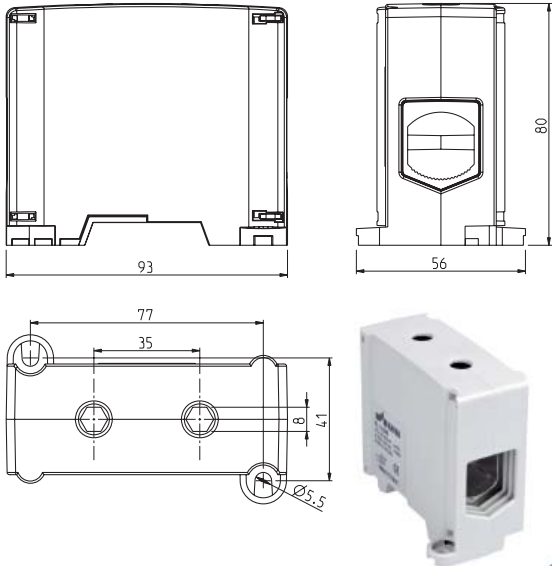
**KL 1x150**



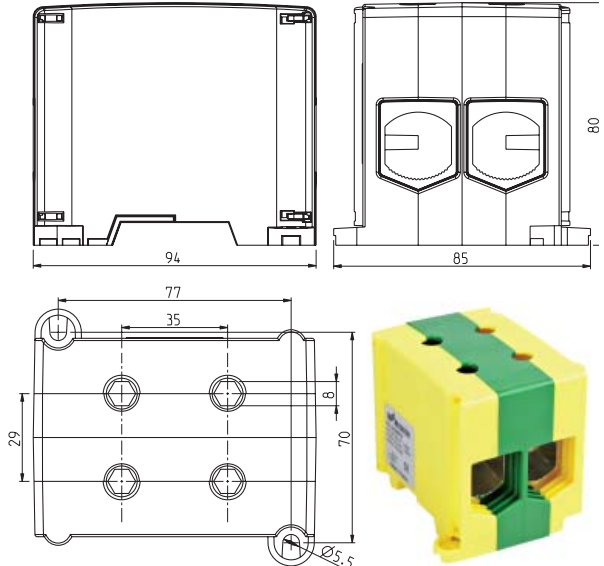
**KL 2x150**



**KL 1x240**



**KL 2x240**



## APPLICATIONS

MCB 16A + KKL 1x16T



VKA 3160 + KKL 1x120T



KVKE 3125 + KKL 1x120T



MCCB 160A + KKL 1x120TM



VKE 3250 + KKL 1x240



*easy to install*



**KATKO Oy**  
Karhunkierros 6, P.O.Box 12  
FI-01641 Vantaa, Finland  
Tel. +358 9 849 600  
Fax. +358 9 849 60800  
[www.katko.com](http://www.katko.com)

**KATKO UK Ltd.**  
Unit 1 Blacknest Business Park  
Blacknest road, Blacknest  
Hampshire GU34, 4PX, UK  
Tel. +44 (0) 1420 520 530  
Fax. +44 (0) 1420 520 560  
[www.katko.co.uk](http://www.katko.co.uk)

**KATKO POLAND Sp. z o. o.**  
Remontowa 10  
PL 03-616 Warszawa  
Tel. +48 22 678 63 93  
Fax. +48 22 678 95 31  
[www.katko.pl](http://www.katko.pl)

0 cm 1 2 3 4 5 6 7 8 9 10 11 12 13 14 15 16 17 18 19 20 21 22 23 24 25