

# small cabinets



QM	QS	QVP	QLP	QV	QL
92	90	88	86	84	82

Small cabinets series	QL
Small cabinets series	QV
Small cabinets series	QLP
Small cabinets series	QVP
Small cabinets series	QS
Small cabinets series	QM
Accessories	





#### ACCESSORIES FOR SMALL CABINETS

pag. 96/105

• SKIRTING BOARD



• WALL FIXING



• LOCK

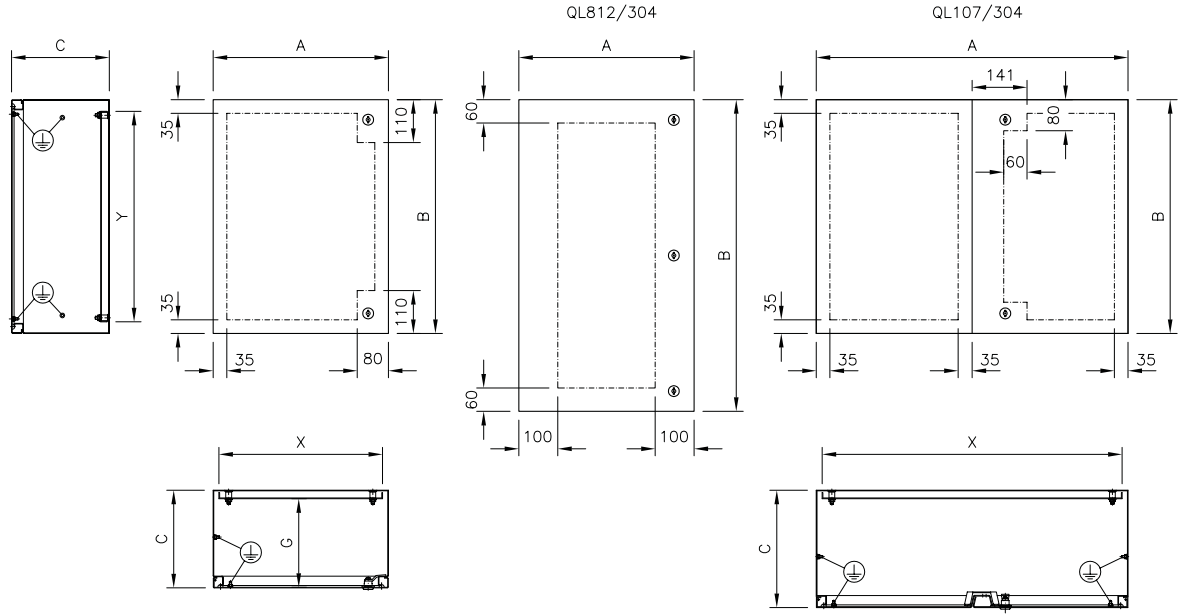


• CLOSING DEVICE DAC01



### SMALL CABINETS SERIES QL

- Material: EN 1.4301 (AISI 304) or EN 1.4404 (AISI 316L) s/s finely glazed and protected on 1 side.
- Enclosure obtained from a single sheet with multi-bends shaping of the enclosure front edge.
- Fairlead plate not provided.
- Blind door.
- Doorlock with twin-comb mapping, standardized type  $\varnothing 3$  for Low Tension, with s/s outside.
- S/s inner hinges, 120° opening according to CEI EN 60204-1 recommendations.
- Maximum weight admissible on the door: 12 kg.
- Seal of foamed polyurethane
- Inner plate of sendzimir EN 10142 galvanized sheet, secured to the bottom of the cabinet by s/s stud bolts
- Pre-arranged for earthing as per applicable rules.
- Protection degree: IP 66 for cabinets with 1 door; IP65 for cabinets with 2 doors.



Underwriters Laboratories **IP66** EN 60 529  
**TYPE NEMA 4X, 4, 12, 1** Standard UL508A - UL50 Standard 250  
 EN 60204-1 89/392/EEC  
 EN 60079-0 EN 61241-0 EN 61241-1

ITEM.	SMALL CABINET			MATERIAL	THICKNESS		INTERNAL PLATE		
	A	B	C		CONTAINER	DOOR	X	Y	G
QL33/304	300	800	180	AISI 304	12/10	15/10	270	240	158
QL33/316	300	300	180	AISI 316L	15/10	15/10	270	240	158
QL34/304	300	450	200	AISI 304	12/10	15/10	270	390	178
QL34/316	300	450	200	AISI 316L	15/10	15/10	270	390	178
QL36/304	300	600	250	AISI 304	12/10	15/10	270	540	228
QL36/316	300	600	250	AISI 316L	15/10	15/10	270	540	228
QL43/304	450	300	200	AISI 304	12/10	15/10	420	240	178
QL43/316	450	300	200	AISI 316L	15/10	15/10	420	240	178
QL44/304	450	450	200	AISI 304	12/10	15/10	420	390	178
QL44/316	450	450	200	AISI 316L	15/10	15/10	420	390	178
QL46/304	450	600	250	AISI 304	12/10	15/10	420	540	228
QL46/316	450	600	250	AISI 316L	15/10	15/10	420	540	228
QL64/304	600	450	250	AISI 304	12/10	15/10	570	390	228
QL64/316	600	450	250	AISI 316L	15/10	15/10	570	390	228
QL66/304	600	600	250	AISI 304	12/10	15/10	570	540	228
QL66/316	600	600	250	AISI 316L	15/10	15/10	570	540	228
QL66P/304	600	600	300	AISI 304	12/10	15/10	570	540	278
QL67/304	600	750	250	AISI 304	15/10	20/10	570	690	227
QL67/316	600	750	250	AISI 316L	15/10	20/10	570	690	227
QL69/304	600	900	250	AISI 304	15/10	20/10	570	840	227
QL69/316	600	900	250	AISI 316L	15/10	20/10	570	840	227
QL77/304	750	750	300	AISI 304	15/10	20/10	720	690	277
QL77/316	750	750	300	AISI 316L	15/10	20/10	720	690	277
QL710/304	750	1000	300	AISI 304	15/10	20/10	720	940	277
QL710/316	750	1000	300	AISI 316L	15/10	20/10	720	940	277
QL86/304	800	600	300	AISI 304	15/10	20/10	770	540	277
QL812/304	800	1200	320	AISI 304	15/10	20/10	770	1140	297
QL106/304	1000	600	300	AISI 304	15/10	20/10	970	540	277
QL107/304	1000	750	300	AISI 304	15/10	20/10	970	690	277

NOTE: For more information on certifications, contact our sales department  
 NOTE: Item QL107/304 can be certified UL NEMA 12

- MOD. 33 - 34 - 43 = 1 only central lock
- MOD. QL107 = two doors without central upright
- MOD. QL812 = three locks





#### ACCESSORIES FOR SMALL CABINETS

pag. 96/105

##### • RAIN PROTECTIONS



##### • WALL FIXING



##### • GAS-OPERATED SPRING

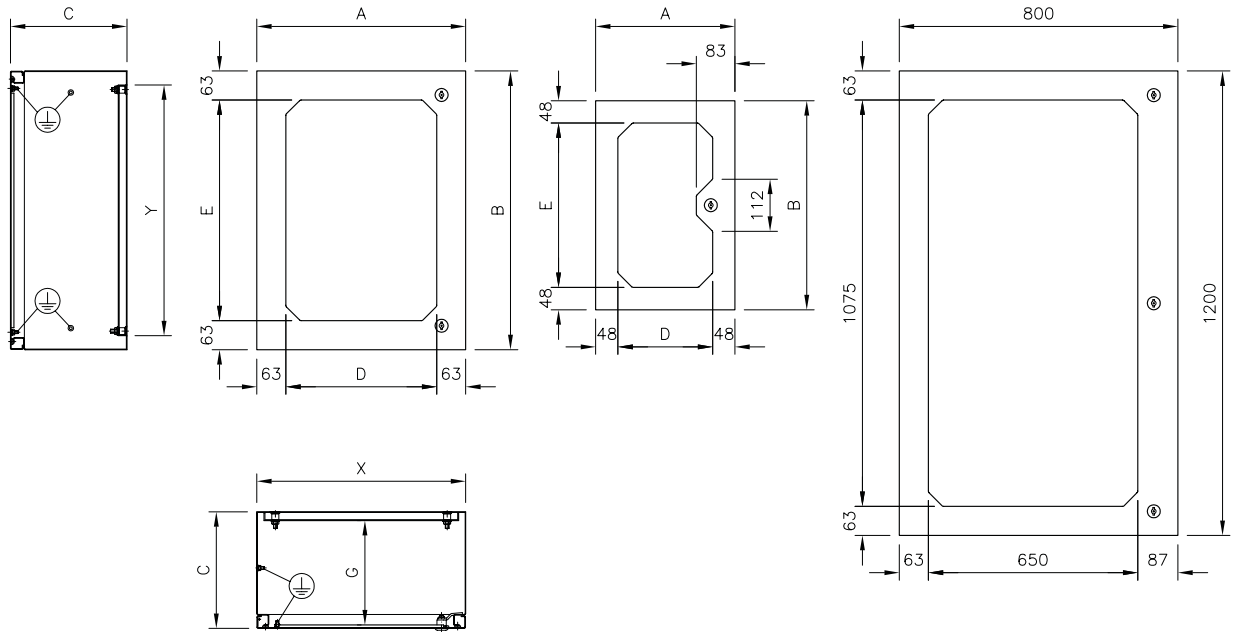





##### • LOCKS



## SMALL CABINETS SERIES QV

- Material: EN 1.4301 (AISI 304) s/s finely glazed and protected on 1 side.
- Container obtained from a single sheet with multi-bends shaping of the envelope front edge.
- Fairlead plate : not provided
- Door with 3+3-layer shatterproof glass (pursuant to the applicable accident-prevention rules).  
The sightglass is made of polycarbonate for models QV33-QV34-QV43.
- Doorlock: twin-comb, standardized type Ø 3 for Low Tension; outside parts made of s/s.
- Inner hinges made of s/s: 120° opening according to VDI 3231 recommendations.
- Seas of foamed polyurethane
- Inner plate made of sendzimir EN 10142 galvanized sheet, secured to the bottom of the cabinet by s/s stud bolts.
- Pre-arranged for earthing as per applicable rules
- Protection degree: IP66



Tested by <b>KEMA</b> Quality Italy	<b>IP66</b>	EN 60 529
	<b>TYPE NEMA 4X, 4, 12, 1</b>	Standard UL508A - UL50 Standard 250
		EN 60204-1 89/392/EEC
		EN 60079-0 EN 61241-0

ITEM.	SMALL CABINETS			VISIBLE SIZE		THICKNESS		INTERNAL PLATE		
	A	B	C	D	E	CONTAINER	DOOR	X	Y	G
<b>QV33/304</b>	300	300	180	204	204	12/10	15/10	270	240	154
<b>QV34/304</b>	300	450	200	204	354	12/10	15/10	270	390	174
<b>QV36/304</b>	300	600	250	175	475	12/10	15/10	270	540	224
<b>QV43/304</b>	450	300	200	354	204	12/10	15/10	420	240	174
<b>QV44/304</b>	450	450	200	325	325	12/10	15/10	420	390	174
<b>QV46/304</b>	450	600	250	325	475	12/10	15/10	420	540	224
<b>QV64/304</b>	600	450	250	475	325	12/10	15/10	570	390	224
<b>QV66/304</b>	600	600	250	475	475	12/10	15/10	570	540	224
<b>QV67/304</b>	600	750	250	475	625	15/10	20/10	570	690	224
<b>QV69/304</b>	600	900	250	475	775	15/10	20/10	570	840	224
<b>QV77/304</b>	750	750	300	625	625	15/10	20/10	720	690	274
<b>QV710/304</b>	750	1000	300	625	875	15/10	20/10	720	940	274
<b>QV812/304</b>	800	1200	320	650	1076	15/10	20/10	770	1140	294

NOTE: • MOD. QV33 - 34 - 43 = 1 only central lock and sightglass made of polycarbonate, thickn. 3 mm  
• MOD. QV812 = 3 locks

NOTE: For more information on certifications, contact our sales department



#### ACCESSORIES FOR SMALL CABINETS

pag. 96/105

##### • OTUSIDE DOORS



##### • PEDESTALS



##### • OVERDOORS

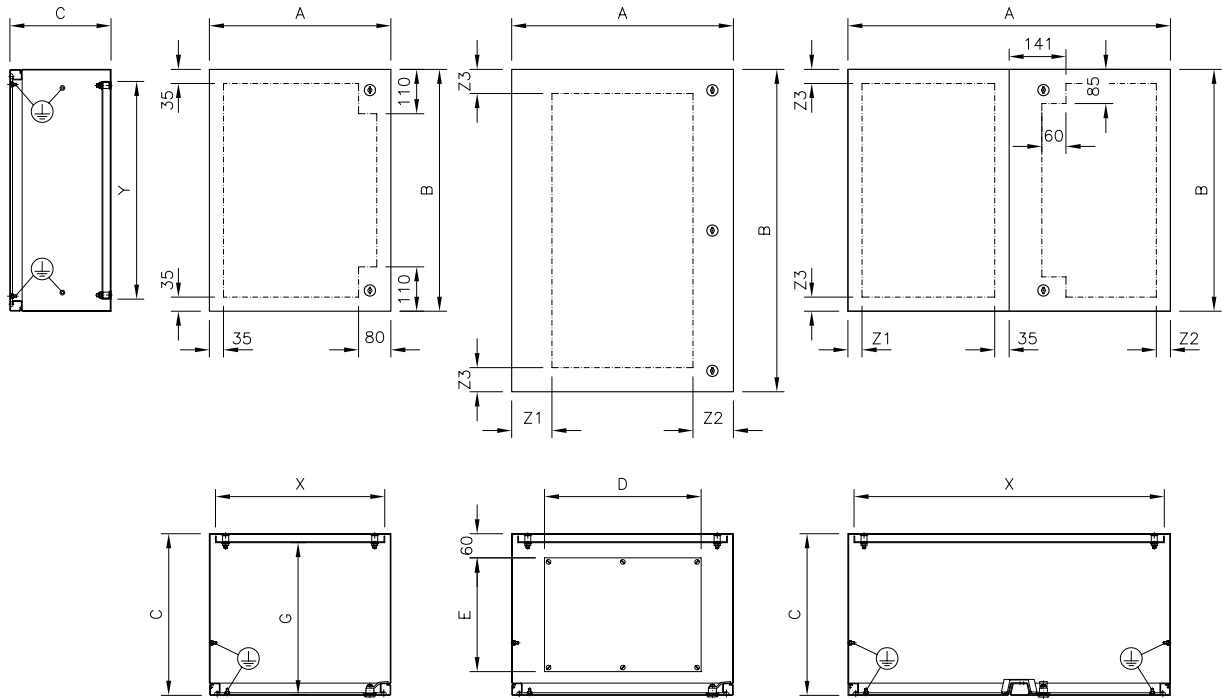


##### • ANTICLOSING DEVICE



## SMALL CABINETS SERIES QLP

- Material: EN 1.4301 (AISI 304) stainless steel finely glazed and protected on 1 side.
- Container obtained from a single sheet, multi-bend shaping of the envelope front edge.
- Fairlead plate with seal (only for cabinets h1200 - h1600).
- Blind door - reversible
- Doorlock: twin-comb type standardized type,  $\varnothing$  3 for Low Tension, s/s outside
- S/s inner hinges: 120° opening as per CEI EN 60204-1 recommendations.
- Maximum weight admissible on the door: 12 kg.
- Seals made of foamed polyurethane
- Inner plate made of sendzimir EN 10142 galvanized sheet secured to the bottom of the container by M8 threaded bolts delivered with the plate (except QLP616-QLP816)
- Pre-arrangement for earthing as per applicable rules
- Protection degree IP66 for cabinets with 1 door, IP65 for cabinets with 2 doors



	Underwriters Laboratories	IP66	EN 60 529
	TYPE NEMA	4X, 4, 12, 1	Standard UL508A - UL50 Standard 250
			EN 60204-1 89/392/EEC
			EN 60 079-0 EN 61241-0

ITEM.	SMALL CABINET			THICKNESS		INNER PLATE			FAIRLEAD PLATE		USELESS SPACE		
	A	B	C	SMALL CABINET	DOOR	X	Y	G	D	E	Z1	Z2	Z3
QLP46	450	600	400	15/10	15/10	420	540	377	-	-	-	-	-
QLP66	600	600	400	15/10	15/10	570	540	377	-	-	-	-	-
QLP68	600	800	400	15/10	20/10	570	740	377	-	-	-	-	-
QLP612	600	1200	400	15/10	20/10	570	1140	377	422	282	100	100	-
QLP616	605	1600	400	15/10	20/10	522	1522	369	422	282	84	112	-
QLP812	800	1200	400	15/10	20/10	770	1140	377	622	282	100	100	-
QLP816	805	1600	400	15/10	20/10	722	1522	369	622	282	84	112	-
QLP128	1203	800	400	15/10	20/10	1170	740	377	-	-	40	40	40
QLP168	1603	800	400	15/10	20/10	1522	722	369	-	-	40	40	40

NOTE: Items. QLP 128/168 are UL NEMA 12 certified and have two doors without center upright.  
Items. QLP616/QLP816 are equipped with hoisting eyebolts and inner plate ajustables as to depth.

ART. QLP612-616-812-816 with fairlead plate and 3 locks  
Door useful size: A - (Z1 + Z2)

NOTE: For more information on certifications, contact our sales department



#### ACCESSORIES FOR SMALL CABINETS

pag. 96/105

##### • DIAGRAM HOLDING POCKETS



##### • LOCKS



##### • ANTICLOSING DEVICE

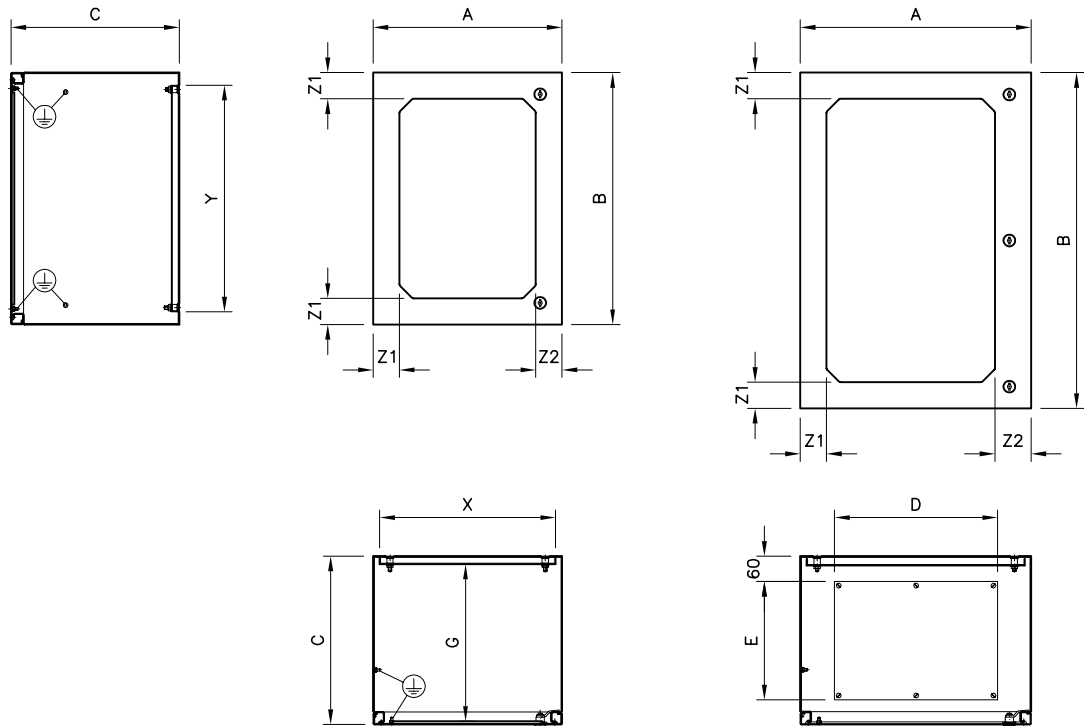


##### • ADJUSTABLE FEET



## SMALL CABINETS SERIES QVP

- Material: EN 1.4301 (AISI 304) s/s steel finely glazed and protected on 1 side.
- Container obtained from a single sheet with multi-bends shaping of the envelope front edge.
- Fairlead plate: with seal (only for cabinets H.1200 and H.1600)
- Reversible door with 3+3-layer shatterproof glass (in compliance with the applicable accident prevention rules).
- Door lock with twin comb mapping, standardized type Ø 3 for Low Tension, with s/s outside.
- S/s inner hinges, 120° opening as per CEI EN 60204-1 recommendations
- Seals of foamed polyurethane
- Inner plate of sendzimir EN 10142 galvanized sheet secured to the bottom of the container by s/s M8 stud bolts
- Pre-arranged for earthing as per applicable rules
- Protection degree IP66



Tested by <b>KEMA</b> Quality Italy	<b>IP66</b>	EN 60 529
	<b>TYPE NEMA 4X, 4, 12, 1</b>	Standard UL508A - UL50 Standard 250
<b>CE</b>		EN 60204-1 89/392/EEC

ITEM.	SMALL CABINET			THICKNESS		INNER PLATE			FAIRLEAD PLATE		USELESS SPACE	
	A	B	C	SMALL CABINET	DOOR	X	Y	G	D	E	Z1	Z2
<b>QVP46</b>	450	600	400	15/10	15/10	420	540	372	-	-	62	62
<b>QVP66</b>	600	600	400	15/10	15/10	570	540	372	-	-	62	62
<b>QVP68</b>	600	800	400	15/10	20/10	570	740	372	-	-	62	62
<b>QVP612</b>	600	1200	400	15/10	20/10	570	1140	372	422	282	62	87
<b>QVP616</b>	605	1600	400	15/10	20/10	522	1522	363	422	282	71	96
<b>QVP812</b>	800	1200	400	15/10	20/10	770	1140	372	622	282	62	87
<b>QVP816</b>	805	1600	400	15/10	20/10	722	1522	363	622	282	71	96

**NOTE:** QVP612-616-812-816: with fairlead plate and 3 looks  
Items. QLP616/QLP816 are equipped with hoisting eyebolts and inner plate ajustables as to depth

**NOTE:** For more information on certifications, contact our sales department



#### ACCESSORIES FOR SMALL CABINETS

pag. 96/105

##### • RAIN PROTECTIONS



##### • LOCKS



##### • WALL FIXING

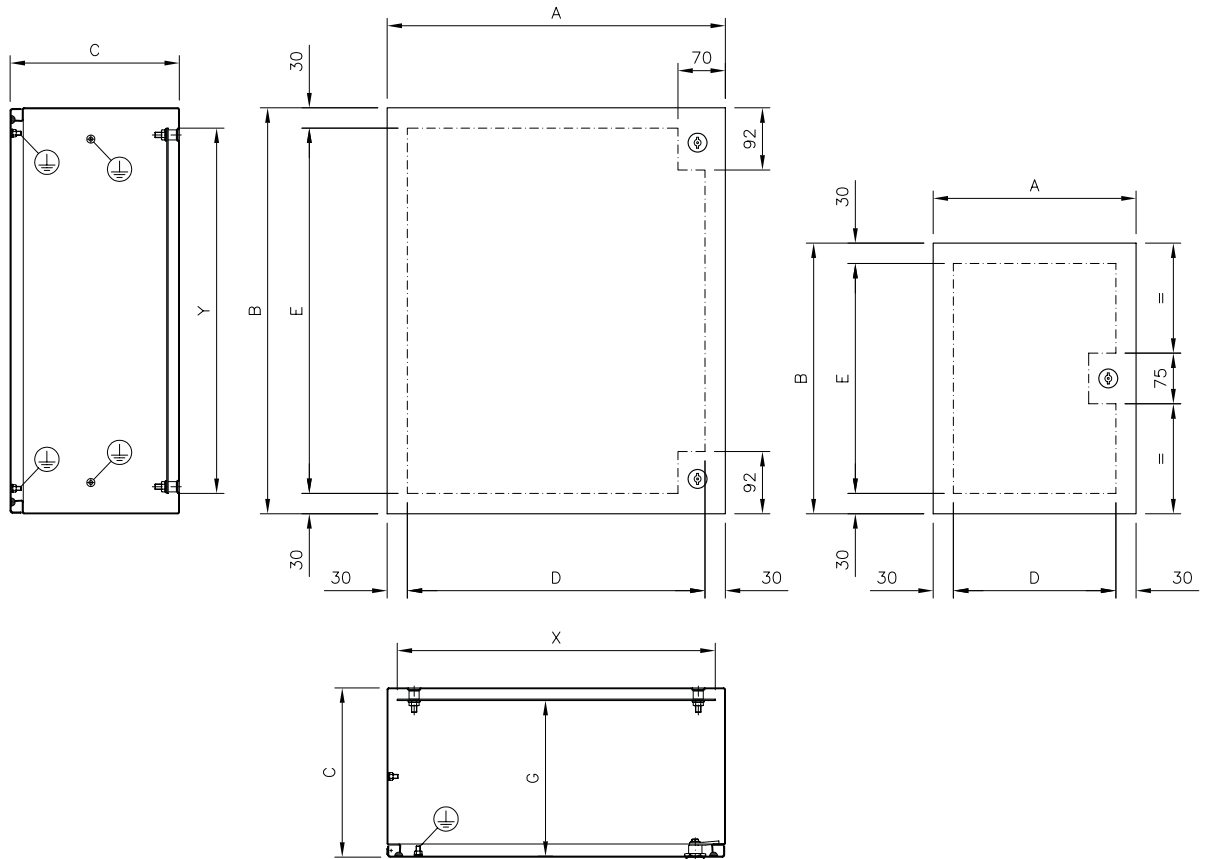


##### • HANDLES



## SMALL CABINETS SERIES QS

- Material: En 1.4301 (AISI 304) s/s finely satin-finished and protected on 1 side. Enclosure obtained from one single sheet, shaped to obtain the labyrinth between enclosure and door.
- On the back: threaded inserts to facilitate the possible installation of wall fixings.
- Inside: threaded pins M8 to allow fixing the plate and its rest.
- Solid door.
- Twin-comb locks of the standardized type  $\varnothing 3$  for Low voltage, chromium plated.
- Inner hinges of s/s, opening  $120^\circ$  according to CEI EN 60204-1 recommendations
- Maximum load admitted on the door: 8 kg.
- Seal of foamed polyurethane.
- Inner plate of galvanized sheet sendzimir EN 10142 secured to the bottom of the container by threaded pins M8 delivered with the cabinet.
- Prearranged for earthing according to the rules in force.



**IP66** EN 60 529/97-05  
**IK10** EN 50 102/96-05



EN 60204-1 89/392/EEC

ITEM.	SMALL CABINETS			USEFULL SPACE FOR DRILLINGS		THICKNESS		INNER PLATE			
	A	B	C	D	E	CONTAINER	DOOR	X	Y	G	THICKNESS
<b>QS034</b>	300	400	200	240	340	12/10	15/10	270	340	180	20/10
<b>QS045</b>	400	500	200	340	440	12/10	15/10	370	440	180	20/10
<b>QS056</b>	500	600	250	440	540	12/10	15/10	470	540	230	20/10
<b>QS068</b>	600	800	250	540	740	12/10	15/10	570	740	230	20/10
<b>QS069</b>	600	900	300	540	840	12/10	15/10	570	840	280	20/10

NOTE: Mod. QS034 1 only central lock.

**NEWS**



**ACCESSORIES FOR SMALL CABINETS**

pag. 96/105

• RAIN PROTECTIONS



• WALL FIXING



• LOCKS

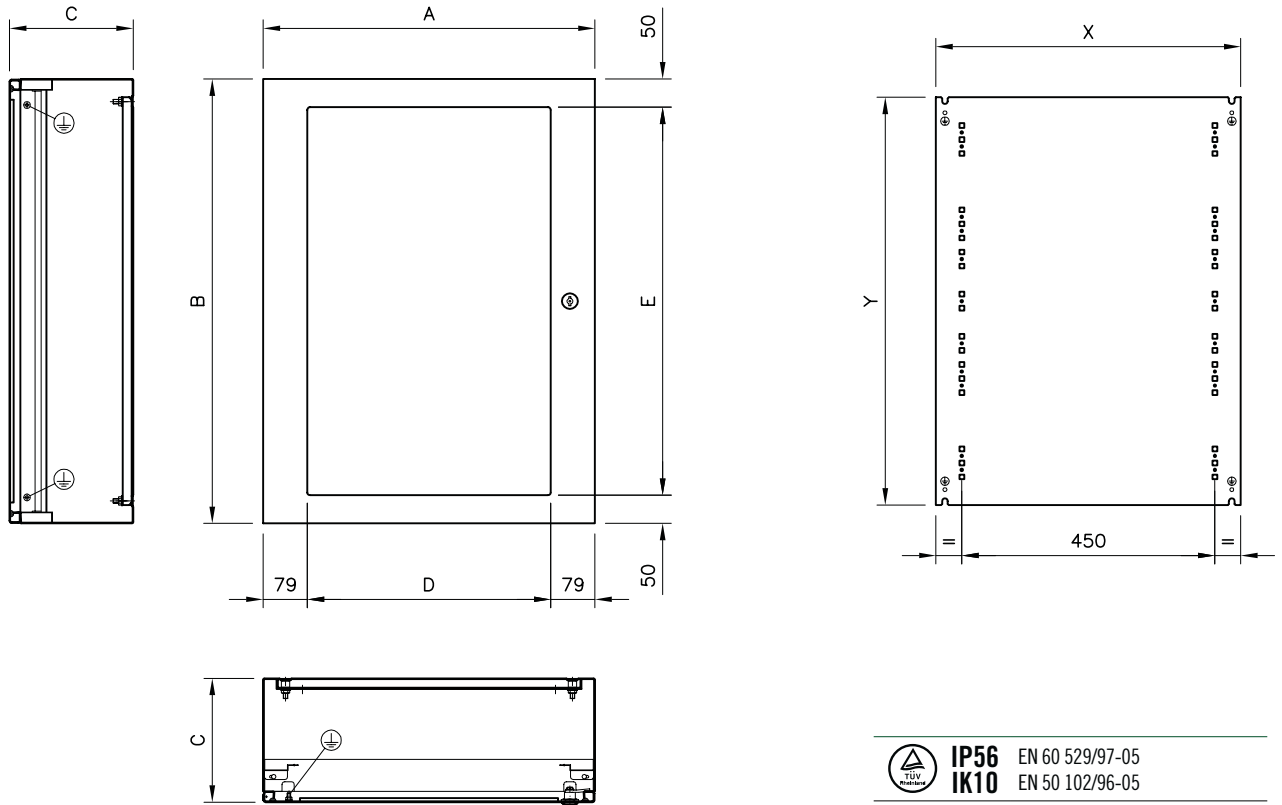


• PANELS



**SMALL CABINETS SERIES QM**

- The new QM series is designed to accommodate modular equipment. Made of En 1.4301 (AISI 304) s/s finely satin-finished and protected on 1 side.  
Special attention was paid, in the design stage, to details permitting to streamline and speed up wiring, without disregarding aesthetic, which has always distinguished our work.
- The enclosure is obtained from a sheet suitably shaped on the front to achieve the “seal labyrinth between enclosure and door.
- On the back are placed some threaded blind inserts M6 for wall fixing. Inside there are threaded pins M8, s/s for plate fixing. The door, pressed, features a shatter-proof 3+3 glass to meet the requirements in terms of safety and weatherability.
- Single central lock, twin-comb type of the standardized type 3 for L.V. Chromium-plated with attachment for 3-point closure starting from model QM096.
- Inner hinges, s/s, opening 120° according to CEI EN 60204-1 recommendations .
- Seal of foamed polyurethane.
- Inner plate of galvanized sheet sendzimir pre-drilled for the assembling of DIN guides. The assembling of the guides and the relevant modular switches can be done in factory to then easily insert the frame, pre-assembled, into the small cabinet. The modular panels are secured to two side uprights pre-drilled fixed to the enclosure.
- Fairlead plate not envisaged.
- Prearranged for earthing according to the rules in force.
- Protection degree : IP66 with closed door, IP20 with open door.

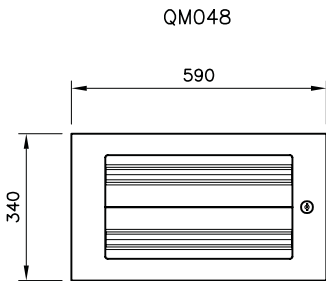


TÜV Rheinland IP56 EN 60 529/97-05  
 IK10 EN 50 102/96-05  
 CE EN 60204-1 89/392/EEC

ITEM.	SMALL CABINETS					THICKNESS		INNER PLATE	
	A	B	C	D	E	CONTAINER	DOOR	X	Y
QM048	590	340	220	433	240	12/10	15/10	542	275
QM072	590	490	220	433	390	12/10	15/10	542	425
QM096	590	640	220	433	540	12/10	15/10	542	575
QM120	590	790	220	433	690	12/10	15/10	542	725
QM144	590	940	220	433	840	12/10	15/10	542	875
QM168	590	1090	220	433	990	12/10	15/10	542	1025

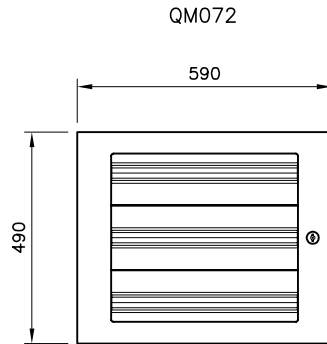


## EQUIPMENT FOR MODULAR SWITCHES



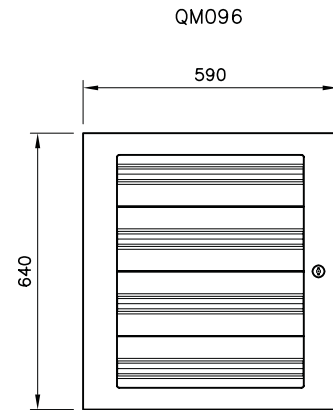
QM048

N. 48 MODULES  
N. 2 PANNEAUX H=150



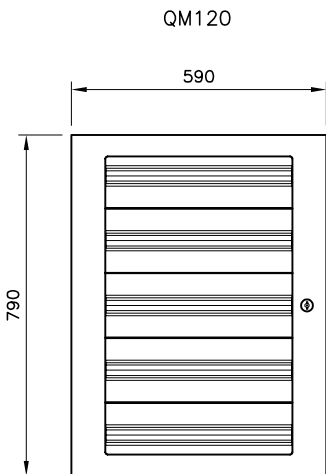
QM072

N. 72 MODULES  
N. 3 PANNEAUX H=150



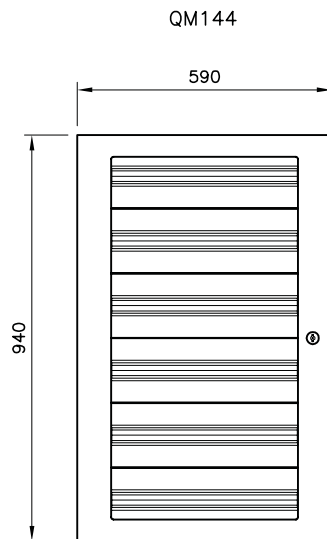
QM096

N. 76 MODULES (N. 3 PANNEAUX H=200)  
N. 96 MODULES (N. 4 PANNEAUX H=150)



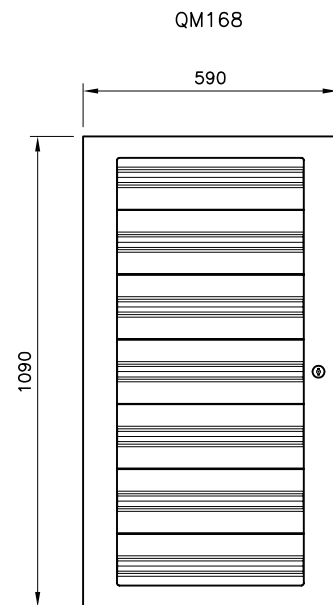
QM120

N. 96 MODULES  
(N. 1 PANNEAU H=150 + 3 PANNEAUX H=200)  
N. 120 MODULES  
(N. 5 PANNEAUX H=150)



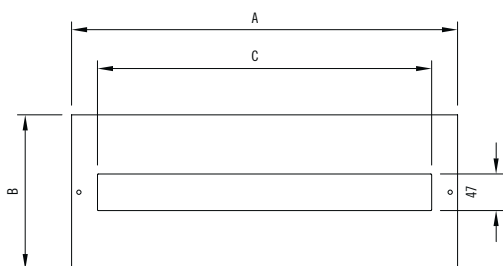
QM144

N. 120 MODULES  
(N. 2 PANNEAUX H=150 + 3 PANNEAUX H=200)  
N. 144 MODULES  
(N. 6 PANNEAUX H=150)



QM168

N. 144 MODULES  
(N. 3 PANNEAUX H=150 + 3 PANNEAUX H=200)  
N. 168 MODULES  
(N. 7 PANNEAUX H=150)



## PANELS

Plates made of Aisi 304 s/s finely satin-finished fit for protecting the equipment inside the small cabinet, so assuring operators' complete safety.

Available either blind or pre-drilled, height H.150 and H.200, to accommodate 24 modules each plate .

Blind plates can be drilled to drawing, on request.

The gap between the plates and the glazed door is 50 mm.

PANEL SIZES				
ITEM.	A	B	C	N° OF MODULES EACH PANEL
PQM150F	499	149	432	24
PQM150C	499	149		CIECO - BLIND
PQM200F	499	199	432	24
PQM200C	499	199		CIECO - BLIND



## DIN BARS

Bars of extruded alluminium sections, complete with fixed rest brackets of s/s.

- DINQM24

# accessories for cabinets



**OVERDOORS**  
pag. 103



**OUTSIDE DOORS**  
pag. 99



**DIAGRAM HOLDING POCKETS**  
pag. 102



**ADJUSTABLE FEET**  
pag. 107



**RAIN PROTECTIONS**  
pag. 100



**FIXED LECTERNS**  
pag. 107



**ANTI-CLOSING DEVICE**  
pag. 106



**PEDESTALS**  
pag. 101



**REST RODS**  
pag. 106



**SKIRTING BOARDS**  
pag. 102



**WALL FIXING**  
pag. 104



**GAS-OPERATED SPRINGS**  
pag. 105



**LOCKS**  
pag. 105



**GRIP HANDLES**  
pag. 106



**ELECTROCONDUCTIVE GASKETS**  
pag. 107



**INOX INNER PLATE**  
pag. 101



## OUTSIDE DOORS SERIES QC

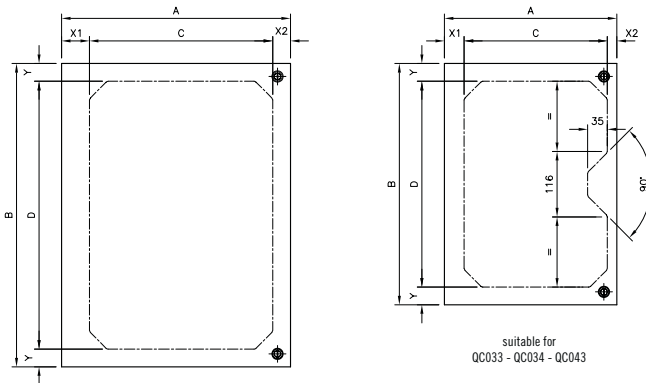
Complete with assembling kit for the fixing of equipment inside the small cabinets, in a protected and locked area, can be installed on all small cabinets of the single door Q series. They are manufactured in EN 1.4301- (AISI 304) s/s, finely satin-finished and protected by PVC adhesive tape, thickness 12/10 and 15/10.

The outside door can be hinged either on the right or left side. The standard supply includes chromium-plated indented locks. Instruments up to a maximum total weight of 12 kg can be set on the outer doors.

The gap between door and outside door is 45 cm.

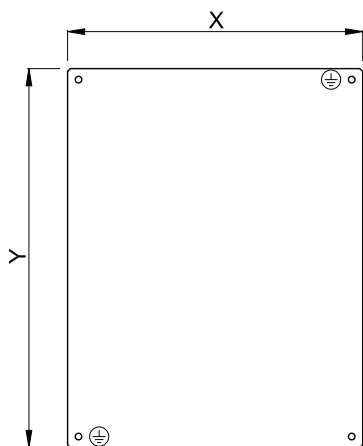
Protection degree IP 20.

Drilling to drawing are possible on demand.



OUTSIDE SIZES			OUTSIDE SIZES					
ITEM.	A	B	C	D	FOR CABINETS	X1	X2	Y
QC033/304	256	238	204	204	QL-QV33	35	17	17
QC034/304	256	388	204	354	QL-QV34	35	17	17
QC036/304	256	538	175	475	QL-QV36	49,5	31,5	31,5
QC043/304	406	238	354	204	QL-QV43	35	17	17
QC044/304	406	388	325	325	QL-QV44	49,5	31,5	31,5
QC046/304	406	538	325	475	QL-QV-QLP-QVP46	49,5	31,5	31,5
QC064/304	556	388	475	325	QL-QV64	49,5	31,5	31,5
QC066/304	556	538	475	475	QL-QV-QLP-QVP66	49,5	31,5	31,5
QC067/304	556	688	475	625	QL-QV67	49,5	31,5	31,5
QC068/304	556	738	475	675	QLP-QVP68	49,5	31,5	31,5
QC069/304	556	838	475	775	QL-QV69	49,5	31,5	31,5
QC077/304	706	688	625	625	QL-QV77	49,5	31,5	31,5
QC710/304	706	938	625	875	QL-QV710	49,5	31,5	31,5
QC612/304	556	1138	450	1075	QLP-QVP612	49,5	56,5	31,5
QC812/304	756	1138	650	1075	QL-QV-QLP-QVP812	49,5	56,5	31,5
QC616/304	552	1513	438	1458	QLP-QVP616	58	56	27,5
QC816/304	752	1513	638	1458	QLP-QVP816	58	56	27,5

NOTE: not usable on the QS – QM series



## INNER PLATES S/S

Manufactured in s/s sheet EN 1.4404 (AISI 316L) , 2B finishing; they are available for all cabinets series QL/QV and are perfectly interchangeable with the standard plate; they are delivered in assembling kit (replacement at user's charge)

ITEM.	SUITABLE FOR	X	Y
PQ0331	QL-QV33	270	240
PQ0341	QL-QV34	270	390
PQ0361	QL-QV36	270	540
PQ0431	QL-QV43	420	240
PQ0441	QL-QV44	420	390
PQ0461	QL-QV46	420	540
PQ0641	QL-QV64	570	390

ITEM.	SUITABLE FOR	X	Y
PQ0661	QL-QV66	570	540
PQ0671	QL-QV67	570	690
PQ0691	QL-QV69	570	840
PQ0771	QL-QV77	720	690
PQ7101	QL-QV710	720	940
PQ8121	QL-QV812	740	1140
PQ1071	QL-QV107	940	770

NOTE: not usable on the QS – QM series



## RAIN PROTECTIONS

Manufactured in X5 Cr Ni 18/10 EN 1.4301 (AISI 304) s/s, fine satin-finished and protected. Recommended when the cabinets are expected to be installed outdoors and weather protection is required. They come in assembling kit.

ITEM.	For small cabinets serie QL/QV/QS
TP933	QL/QV33
TP934	QS/QL/QV34
TP936	QL/QV36
TP944	QL/QV43-44
TP945	QS045
TP946	QL/QV46
TP956	QS056
TP960	QS/QL/QV64-66-67-68-69
TP966	QL66P/QS069

ITEM.	For small cabinets serie QL/QV/QS
TP977	QL/QV77-710
TP980	QL/QV812
TP946P	QLP/QVP46
TP960P	QLP/QVP66-68-612
TP980P	QLP/QVP812
TP9616P	QLP/QVP616
TP9816P	QLP/QVP816
TPQM	SERIE QM



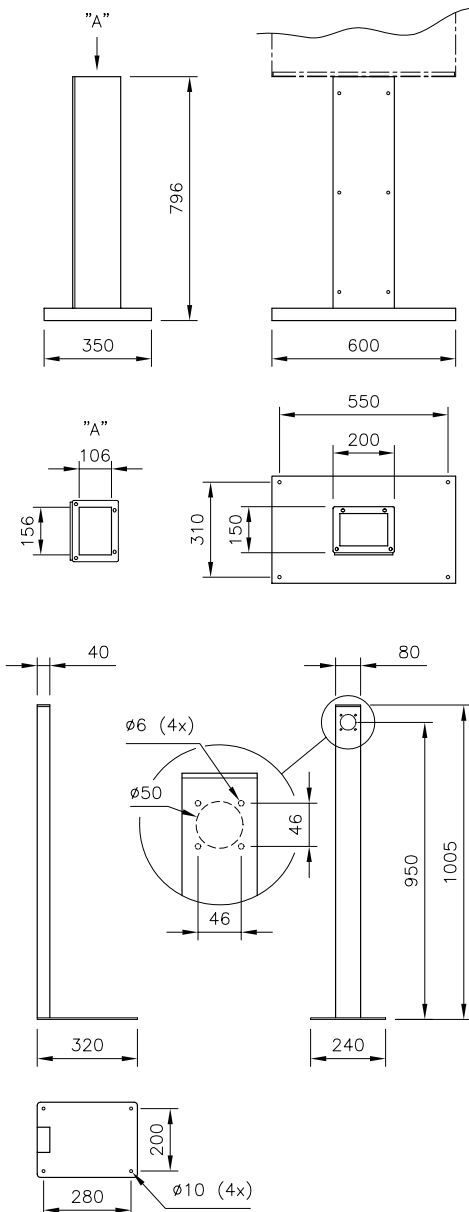
## PEDESTAL SERIES PR

Designed for use both as a stand and a cableway, it is manufactured in X5 Cr Ni 18/10 EN 1.4301 (AISI 304) S/S and comes in two versions:

- **PR200:** satin-finishing, suitable for application under cabinets having a minimum depth of 250 mm; it consists of a C-shaped bent column, complete with bolted cover with gasket and with sendzimir inner plate. A sendzimir counterplate, is also supplied to firmly secure the modular cabinets to the top of the column (for cabinets starting from L.600). These counterplates have to be ordered expressly, using the following codes:

- **PPRQ6025** counterplate for cabinets QL/QV64-66-67-69
- **PPRQ7530** counterplate for cabinets QL/QV77-710

**NOTE:** the inspection side is on a 1.200 side. it can be assembled frontwise or backwise



- **PR100:** is used for pushbutton-boards, connector blocks and cabinets with minimum width 125 mm, it consists of: s/s channel, micropeening, not inspectable and a pre-drilled plate for fixing to the ground.



## SKIRTING BOARD

Suitable for application under the cabinets series QLP, they are simple and sturdy, made of X5 Cr Ni 18/10 EN 1.4301 (AISI 304) s/s carefully satin-finished and protected. Pre-arranged with cableways, both side and back (or front) and for application of feet, where necessary; the bottom is open to the ground: on request, they can be delivered with panels for bottom closing that can be used also as cable supports. Protection degree is IP20 with bottom panel in place. Can be delivered either in assembling kit or pre-assembled, and are available in 100 and 200 mm height.

ITEM.	For small cabinets	Height mm	Bottom closing panel
ZA06104	66-68-612-616	H.100	P0604
ZA06204	66-68-612-616	H.200	P0604
ZA08104	812-8616	H.100	P0804
ZA08204	812-816	H.200	P0804
ZA12104	128	H.100	P1204
ZA12204	128	H.200	P.1204
ZA16104	168	H.100	P1604
ZA16204	168	H.200	P1604

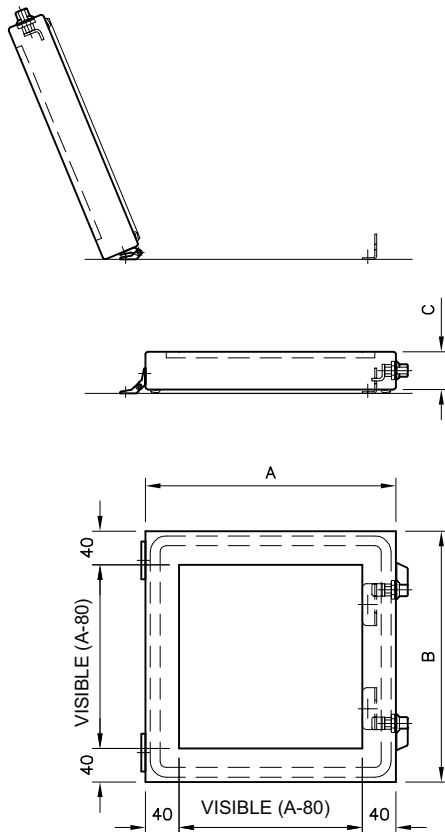
NOTE: not usable for the QS/QM series



## DIAGRAM HOLDING POCKET

Delivered in assembling kit, available in 3 models:

- **SG109**: orange ABS, for A4 documents
- **SG108**: AISI 304 s/s, for A4 documents
- **SG110**: AISI 304 s/s for A3 documents



## OVERDOORS

Made of X5 CrNi 18/10 EN 1.4301 (AISI 304) s/s, finely satin-finished, with 3+3 layer shatterproof sightglass, they are especially recommended when instrument set on the outside door have to be protected. Complete with wing-nut lock, galvanized, black, with Yale type key and built-in seal, 180° opening. Protection degree IP65.

**NOTE:** when set on width exceeding the width of the overdoor itself, the max. opening is 90°.

ITEM.	A	B	C
SV33/45	300	300	45
SV34/45	300	450	45
SV36/45	300	600	45
SV43/45	450	300	45
SV44/45	450	450	45
SV46/45	450	600	45
SV64/45	600	450	45
SV66/45	600	600	45
SV67/45	600	750	45
SV68/45	600	800	45
SV69/45	600	900	45
SV612/45	600	1200	45
SV77/45	750	750	45
SV710/45	750	1000	45
SV86/45	800	600	45
SV812/45	800	1200	45
SV106/45	1000	750	45

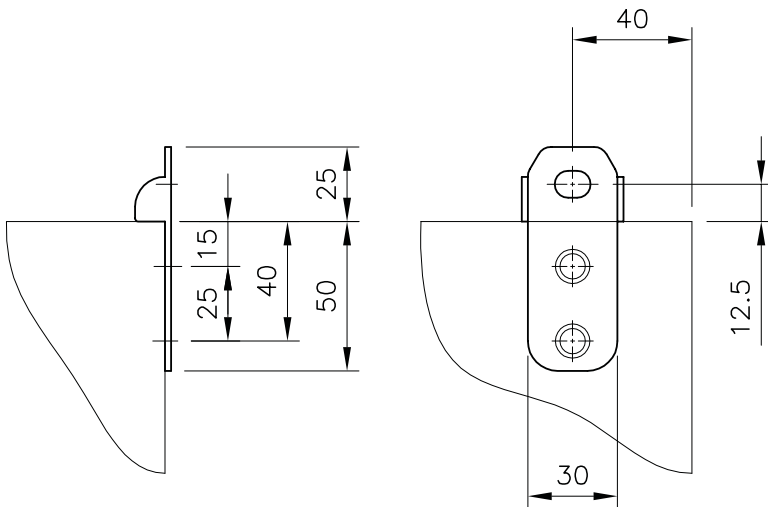
ITEM.	A	B	C
SV33/75	300	300	75
SV34/75	300	450	75
SV36/75	300	600	75
SV43/75	450	300	75
SV44/75	450	450	75
SV46/75	450	600	75
SV64/75	600	450	75
SV66/75	600	600	75
SV67/75	600	750	75
SV68/75	600	800	75
SV69/75	600	900	75
SV612/75	600	1200	75
SV77/75	750	750	75
SV710/75	750	1000	75
SV86/75	800	600	75
SV812/75	800	1200	75
SV106/75	1000	750	75



## WALL FIXING LUGS

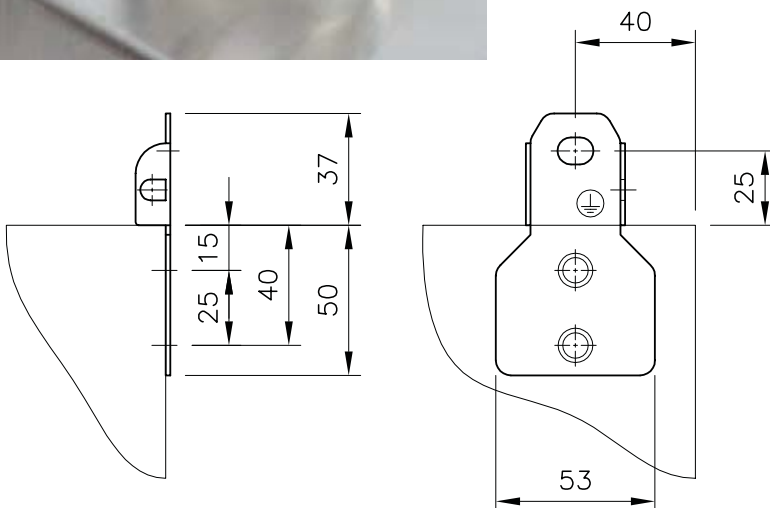
Made of AISI 316L s/s, they are easily set to the back of the cabinets serie "Q" and "M", or can be used for wall fixing of the top of CC cabinets for greater stability. Water- and dust-tightness keep unchanged thanks to the special seals. Each kit includes the assembling instructions, screws and gaskets.

- **SP025** – kit of 4 pcs



Made of Aisi 316L s/s, same features as the SP025 fixing, they are equipped with a wider rest base that permits to spot-weld them to the enclosure without using setscrews. Prearranged for the fixing of an earthing cable.

- **SP035** – kit of 4 pcs





## GAS-OPERATED SPRINGS

The gas-operated springs are designed to open the doors upwards (seagull-wings); they facilitate opening and feature a braking device on top of the wing, reaching a balanced position when the door is open. Different capacities are available to meet specific requirements.

When ordering the springs, the weight and position of instruments and/or equipment, if any, should be mentioned so that the spring best suiting your requirements can be determined.

- **SA901** - pair of gas-controlled spring



## RATCHET LOCK

Various optional locks are available, all perfectly interchangeable with the standard ones, either with low-voltage or Yale key.

ITEM.	TYPE	OUTSIDE	MATERIAL INSERT	TONGUE
<b>SG215S(**)</b>	box lock - twin-comb insert	S/S	S/S	galvanized
<b>SG221I</b>	"T" handle key	black polyamides	S/S	S/S
<b>SG226I</b>	wing nut lock key	black polyamides	S/S	S/S
<b>SG227I</b>	"L" handle key	black polyamides	S/S	S/S

### NOTE:

(\*) Key EK333 - Yale type - is supplied with the lock. Different key coding can be provided on request.

(\*\*) Lock item SG215S are supplied without key. Optional key, to be ordered separately: item SG205CG – not s/s. To receive also the tongue in A.304 s/s, order It. KIT SG215.



## SUPPORT RODS

Compass type, designed to open the cabinet doors upwards (seagull-wings). Safe and convenient, they have an automatic hooking device that allow to keep the doors open. Available both in right and left version: as from dimm.600x600 the use of two rods is recommended, for lower dimensions a single rods is enough.

- **ASD01**: right support rod
- **ASS01**: left support rod

**NOTE:** they can be assembled up to the 600x900 size, if no further weight is applied to the door.  
The gas-operated springs must be used for greater sizes.



## ANTI-CLOSING DEVICE

Made of AISI 304 stainless steel, is recommended to avoid the accidental closing of the door.

Not suitable for cabinet with upward opening door (seagull-wing).

Delivered in assembling kit

- **DAC01**



## GRIP HANDLES

Made of AISI 304 s/s rod, mirror polished; recommended when the cabinets are used as control boxes.

They are delivered in assembling kit and come in two versions:

- **MNB200**: fixing distance between centres (l) 200 mm
- **MNB300**: fixing distance between centres (l) 300 mm



## ADJUSTABLE FEET

Cylindrical, perfectly cleanable in AISI 304 S.S.

- **SA2000:** adjustable from 125 to 165 mm
- **SA2200:** adjustable from 165 to 205 mm



## FIXED LECTERN

**IP66**

Made of AISI 304 s/s, finely satin-finished and protected, they are fitted directly to the door. Their execution and shape enable satisfactory space availability, even in restricted space conditions. The handy lower panel also allows wiring without the need for pushbuttons, instruments or raceways being secured to movable or removable parts. The top surface is perfectly smooth and free from gaps for improved cleaning. Three lengths are available:

- **SA531** - fixed lectern L. 600
- **SA532** - fixed lectern L. 800
- **SA535** - fixed lectern L. 1000



## ELECTROCONDUCTIVE GASKET

**emc<sup>®</sup>**

The electroconductive gasket is required to shield the electric or magnetic field.

The elasticity of the gasket is obtained by using various foamed materials: silicone, neoprene or epdm depending on the conditions of use.

- **GCE**