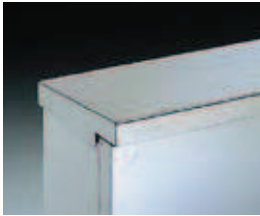




#### ACCESSORIES FOR SMALL CABINETS

pag. 96/105

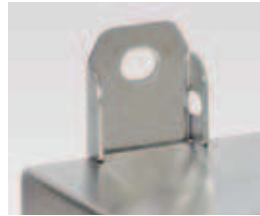
##### • RAIN PROTECTIONS



##### • LOCKS



##### • WALL FIXING



##### • HANDLES



## SMALL CABINETS SERIES QS

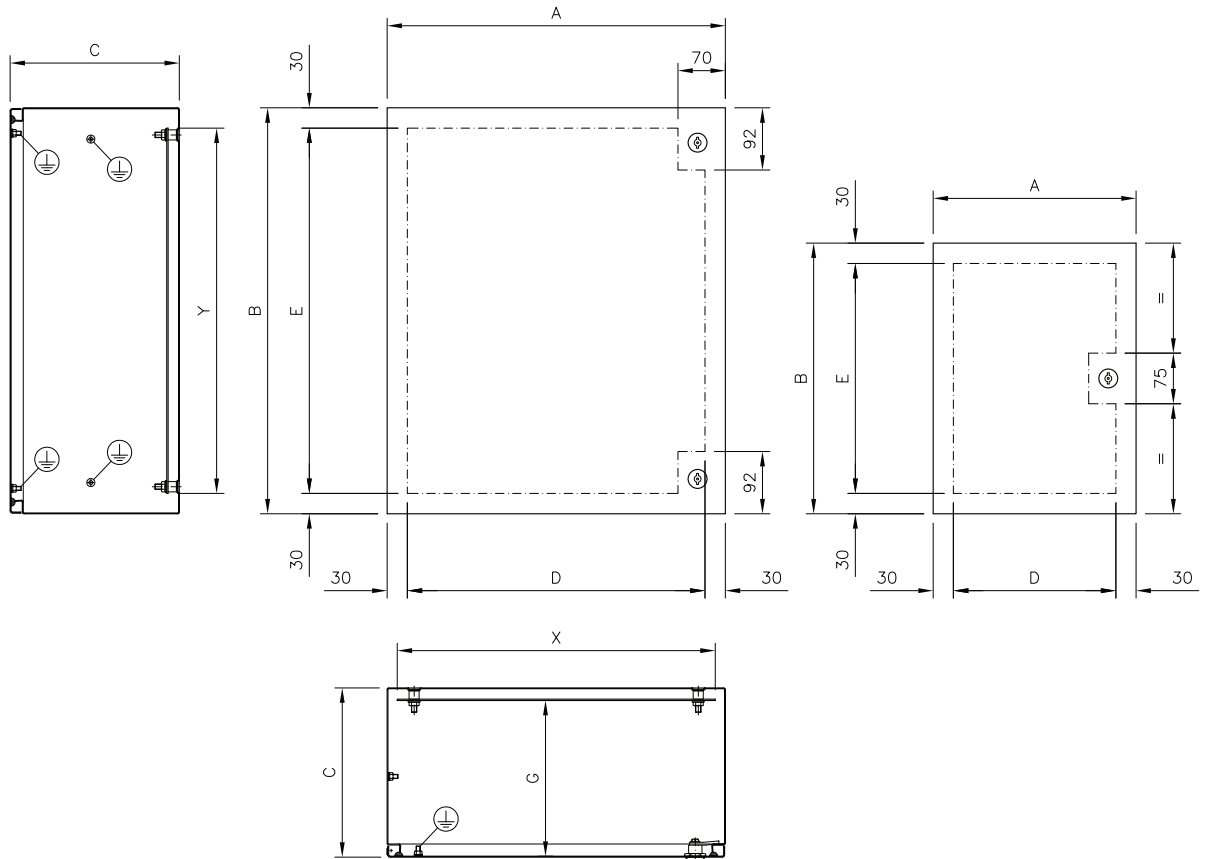
- Material: En 1.4301 (AISI 304) s/s finely satin-finished and protected on 1 side. Enclosure obtained from one single sheet, shaped to obtain the labyrinth between enclosure and door.
- On the back: threaded inserts to facilitate the possible installation of wall fixings.
- Inside: threaded pins M8 to allow fixing the plate and its rest.
- Solid door.
- Twin-comb locks of the standardized type  $\varnothing 3$  for Low voltage, chromium plated.
- Inner hinges of s/s, opening  $120^\circ$  according to CEI EN 60204-1 recommendations
- Maximum load admitted on the door: 8 kg.
- Seal of foamed polyurethane.
- Inner plate of galvanized sheet sendzimir EN 10142 secured to the bottom of the container by threaded pins M8 delivered with the cabinet.
- Prearranged for earthing according to the rules in force.



IP66  
IK10



# small cabinets **QS**



**IP66** EN 60 529/97-05  
**IK10** EN 50 102/96-05

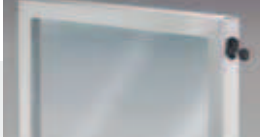


EN 60204-1 89/392/EEC

| ITEM.        | SMALL CABINETS |     |     | USEFULL SPACE FOR DRILLINGS |     | THICKNESS |       | INNER PLATE |     |     |           |
|--------------|----------------|-----|-----|-----------------------------|-----|-----------|-------|-------------|-----|-----|-----------|
|              | A              | B   | C   | D                           | E   | CONTAINER | DOOR  | X           | Y   | G   | THICKNESS |
| <b>QS034</b> | 300            | 400 | 200 | 240                         | 340 | 12/10     | 15/10 | 270         | 340 | 180 | 20/10     |
| <b>QS045</b> | 400            | 500 | 200 | 340                         | 440 | 12/10     | 15/10 | 370         | 440 | 180 | 20/10     |
| <b>QS056</b> | 500            | 600 | 250 | 440                         | 540 | 12/10     | 15/10 | 470         | 540 | 230 | 20/10     |
| <b>QS068</b> | 600            | 800 | 250 | 540                         | 740 | 12/10     | 15/10 | 570         | 740 | 230 | 20/10     |
| <b>QS069</b> | 600            | 900 | 300 | 540                         | 840 | 12/10     | 15/10 | 570         | 840 | 280 | 20/10     |

NOTE: Mod. QS034 1 only central lock.

# accessories for cabinets



**OVERDOORS**  
pag. 103



**OUTSIDE DOORS**  
pag. 99



**DIAGRAM HOLDING POCKETS**  
pag. 102



**ADJUSTABLE FEET**  
pag. 107



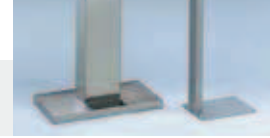
**RAIN PROTECTIONS**  
pag. 100



**FIXED LECTERNS**  
pag. 107



**ANTI-CLOSING DEVICE**  
pag. 106



**PEDESTALS**  
pag. 101



**REST RODS**  
pag. 106



**SKIRTING BOARDS**  
pag. 102



**WALL FIXING**  
pag. 104



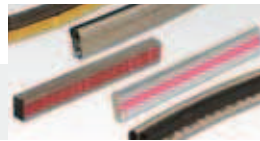
**GAS-OPERATED SPRINGS**  
pag. 105



**LOCKS**  
pag. 105



**GRIP HANDLES**  
pag. 106



**ELECTROCONDUCTIVE GASKETS**  
pag. 107



**INOX INNER PLATE**  
pag. 101



## OUTSIDE DOORS SERIES QC

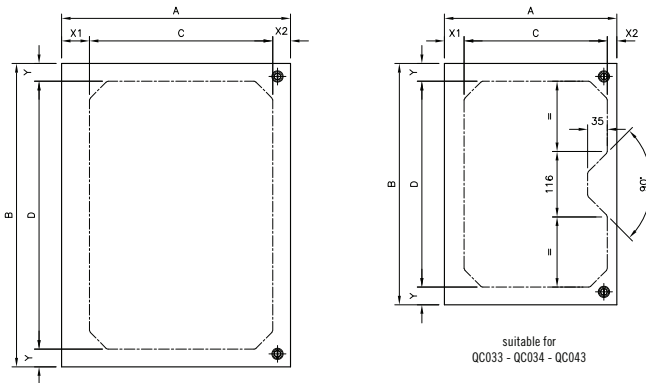
Complete with assembling kit for the fixing of equipment inside the small cabinets, in a protected and locked area, can be installed on all small cabinets of the single door Q series. They are manufactured in EN 1.4301- (AISI 304) s/s, finely satin-finished and protected by PVC adhesive tape, thickness 12/10 and 15/10.

The outside door can be hinged either on the right or left side. The standard supply includes chromium-plated indented locks. Instruments up to a maximum total weight of 12 kg can be set on the outer doors.

The gap between door and outside door is 45 cm.

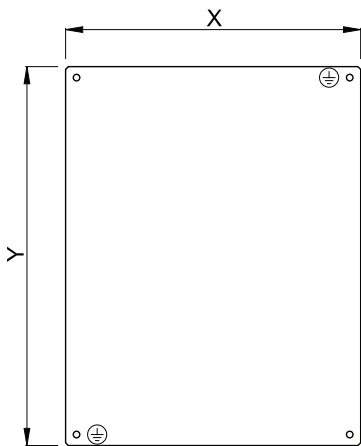
Protection degree IP 20.

Drilling to drawing are possible on demand.



| OUTSIDE SIZES |     |      | OUTSIDE SIZES |      |                  |      |      |      |
|---------------|-----|------|---------------|------|------------------|------|------|------|
| ITEM.         | A   | B    | C             | D    | FOR CABINETS     | X1   | X2   | Y    |
| QC033/304     | 256 | 238  | 204           | 204  | QL-QV33          | 35   | 17   | 17   |
| QC034/304     | 256 | 388  | 204           | 354  | QL-QV34          | 35   | 17   | 17   |
| QC036/304     | 256 | 538  | 175           | 475  | QL-QV36          | 49,5 | 31,5 | 31,5 |
| QC043/304     | 406 | 238  | 354           | 204  | QL-QV43          | 35   | 17   | 17   |
| QC044/304     | 406 | 388  | 325           | 325  | QL-QV44          | 49,5 | 31,5 | 31,5 |
| QC046/304     | 406 | 538  | 325           | 475  | QL-QV-QLP-QVP46  | 49,5 | 31,5 | 31,5 |
| QC064/304     | 556 | 388  | 475           | 325  | QL-QV64          | 49,5 | 31,5 | 31,5 |
| QC066/304     | 556 | 538  | 475           | 475  | QL-QV-QLP-QVP66  | 49,5 | 31,5 | 31,5 |
| QC067/304     | 556 | 688  | 475           | 625  | QL-QV67          | 49,5 | 31,5 | 31,5 |
| QC068/304     | 556 | 738  | 475           | 675  | QLP-QVP68        | 49,5 | 31,5 | 31,5 |
| QC069/304     | 556 | 838  | 475           | 775  | QL-QV69          | 49,5 | 31,5 | 31,5 |
| QC077/304     | 706 | 688  | 625           | 625  | QL-QV77          | 49,5 | 31,5 | 31,5 |
| QC710/304     | 706 | 938  | 625           | 875  | QL-QV710         | 49,5 | 31,5 | 31,5 |
| QC612/304     | 556 | 1138 | 450           | 1075 | QLP-QVP612       | 49,5 | 56,5 | 31,5 |
| QC812/304     | 756 | 1138 | 650           | 1075 | QL-QV-QLP-QVP812 | 49,5 | 56,5 | 31,5 |
| QC616/304     | 552 | 1513 | 438           | 1458 | QLP-QVP616       | 58   | 56   | 27,5 |
| QC816/304     | 752 | 1513 | 638           | 1458 | QLP-QVP816       | 58   | 56   | 27,5 |

NOTE: not usable on the QS – QM series



## INNER PLATES S/S

Manufactured in s/s sheet EN 1.4404 (AISI 316L) , 2B finishing; they are available for all cabinets series QL/QV and are perfectly interchangeable with the standard plate; they are delivered in assembling kit (replacement at user's charge)

| ITEM.  | SUITABLE FOR | X   | Y   |
|--------|--------------|-----|-----|
| PQ0331 | QL-QV33      | 270 | 240 |
| PQ0341 | QL-QV34      | 270 | 390 |
| PQ0361 | QL-QV36      | 270 | 540 |
| PQ0431 | QL-QV43      | 420 | 240 |
| PQ0441 | QL-QV44      | 420 | 390 |
| PQ0461 | QL-QV46      | 420 | 540 |
| PQ0641 | QL-QV64      | 570 | 390 |

| ITEM.  | SUITABLE FOR | X   | Y    |
|--------|--------------|-----|------|
| PQ0661 | QL-QV66      | 570 | 540  |
| PQ0671 | QL-QV67      | 570 | 690  |
| PQ0691 | QL-QV69      | 570 | 840  |
| PQ0771 | QL-QV77      | 720 | 690  |
| PQ7101 | QL-QV710     | 720 | 940  |
| PQ8121 | QL-QV812     | 740 | 1140 |
| PQ1071 | QL-QV107     | 940 | 770  |

NOTE: not usable on the QS – QM series



## RAIN PROTECTIONS

Manufactured in X5 Cr Ni 18/10 EN 1.4301 (AISI 304) s/s, fine satin-finished and protected. Recommended when the cabinets are expected to be installed outdoors and weather protection is required. They come in assembling kit.

| ITEM. | For small cabinets serie QL/QV/QS |
|-------|-----------------------------------|
| TP933 | QL/QV33                           |
| TP934 | QS/QL/QV34                        |
| TP936 | QL/QV36                           |
| TP944 | QL/QV43-44                        |
| TP945 | QS045                             |
| TP946 | QL/QV46                           |
| TP956 | QS056                             |
| TP960 | QS/QL/QV64-66-67-68-69            |
| TP966 | QL66P/QS069                       |

| ITEM.   | For small cabinets serie QL/QV/QS |
|---------|-----------------------------------|
| TP977   | QL/QV77-710                       |
| TP980   | QL/QV812                          |
| TP946P  | QLP/QVP46                         |
| TP960P  | QLP/QVP66-68-612                  |
| TP980P  | QLP/QVP812                        |
| TP9616P | QLP/QVP616                        |
| TP9816P | QLP/QVP816                        |
| TPQM    | SERIE QM                          |



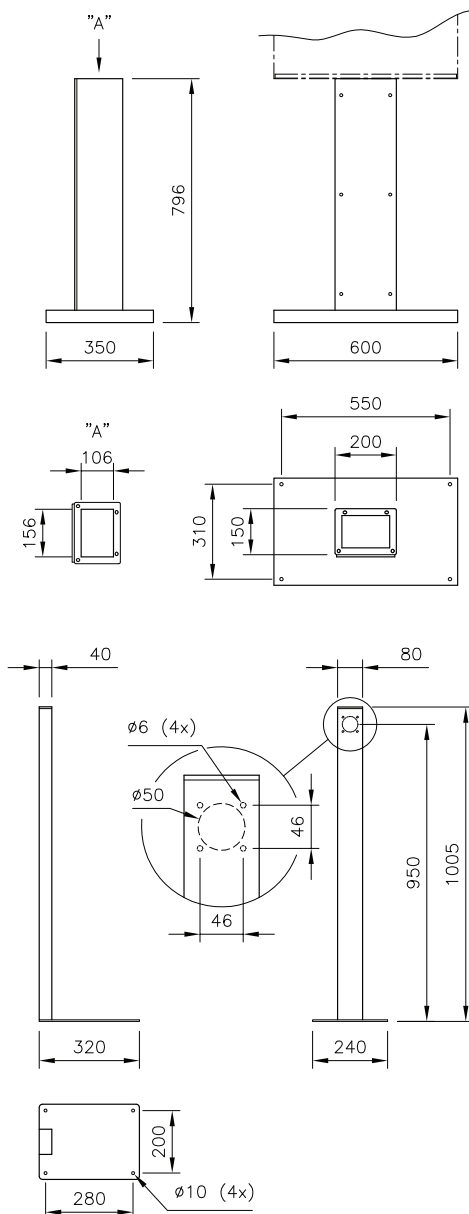
## PEDESTAL SERIES PR

Designed for use both as a stand and a cableway, it is manufactured in X5 Cr Ni 18/10 EN 1.4301 (AISI 304) S/S and comes in two versions:

- **PR200:** satin-finishing, suitable for application under cabinets having a minimum depth of 250 mm; it consists of a C-shaped bent column, complete with bolted cover with gasket and with sendzimir inner plate. A sendzimir counterplate, is also supplied to firmly secure the modular cabinets to the top of the column (for cabinets starting from L.600). These counterplates have to be ordered expressly, using the following codes:

- **PPRQ6025** counterplate for cabinets QL/QV64-66-67-69
- **PPRQ7530** counterplate for cabinets QL/QV77-710

**NOTE:** the inspection side is on a 1.200 side. it can be assembled frontwise or backwise



- **PR100:** is used for pushbutton-boards, connector blocks and cabinets with minimum width 125 mm, it consists of: s/s channel, micropeening, not inspectable and a pre-drilled plate for fixing to the ground.



## SKIRTING BOARD

Suitable for application under the cabinets series QLP, they are simple and sturdy, made of X5 Cr Ni 18/10 EN 1.4301 (AISI 304) s/s carefully satin-finished and protected. Pre-arranged with cableways, both side and back (or front) and for application of feet, where necessary; the bottom is open to the ground: on request, they can be delivered with panels for bottom closing that can be used also as cable supports. Protection degree is IP20 with bottom panel in place. Can be delivered either in assembling kit or pre-assembled, and are available in 100 and 200 mm height.

| ITEM.          | For small cabinets | Height mm | Bottom closing panel |
|----------------|--------------------|-----------|----------------------|
| <b>ZA06104</b> | 66-68-612-616      | H.100     | P0604                |
| <b>ZA06204</b> | 66-68-612-616      | H.200     | P0604                |
| <b>ZA08104</b> | 812-8616           | H.100     | P0804                |
| <b>ZA08204</b> | 812-816            | H.200     | P0804                |
| <b>ZA12104</b> | 128                | H.100     | P1204                |
| <b>ZA12204</b> | 128                | H.200     | P.1204               |
| <b>ZA16104</b> | 168                | H.100     | P1604                |
| <b>ZA16204</b> | 168                | H.200     | P1604                |

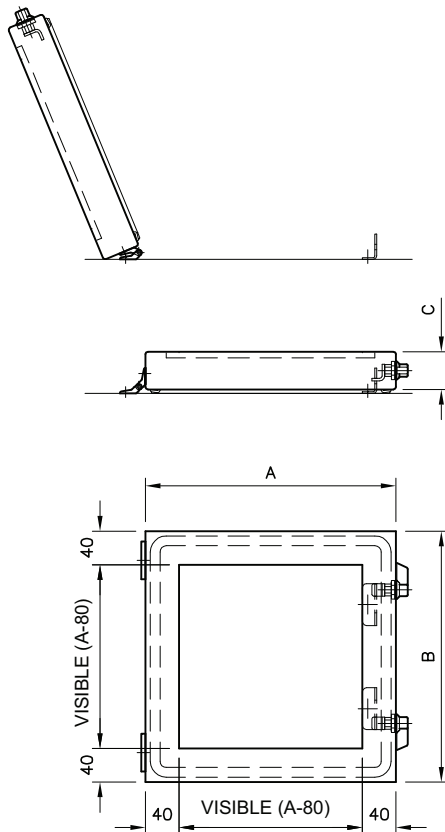
NOTE: not usable for the QS/QM series



## DIAGRAM HOLDING POCKET

Delivered in assembling kit, available in 3 models:

- **SG109**: orange ABS, for A4 documents
- **SG108**: AISI 304 s/s, for A4 documents
- **SG110**: AISI 304 s/s for A3 documents



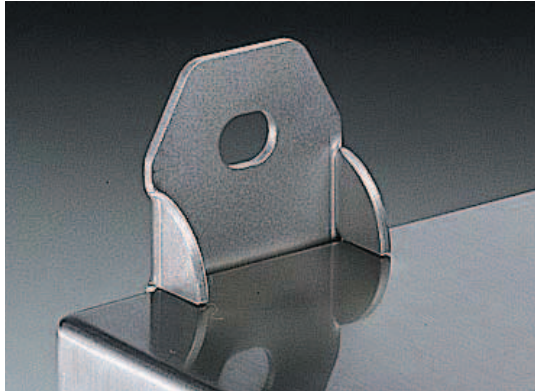
## OVERDOORS

Made of X5 CrNi 18/10 EN 1.4301 (AISI 304) s/s, finely satin-finished, with 3+3 layer shatterproof sightglass, they are especially recommended when instrument set on the outside door have to be protected. Complete with wing-nut lock, galvanized, black, with Yale type key and built-in seal, 180° opening. Protection degree IP65.

**NOTE:** when set on width exceeding the width of the overdoor itself, the max. opening is 90°.

| ITEM.    | A    | B    | C  |
|----------|------|------|----|
| SV33/45  | 300  | 300  | 45 |
| SV34/45  | 300  | 450  | 45 |
| SV36/45  | 300  | 600  | 45 |
| SV43/45  | 450  | 300  | 45 |
| SV44/45  | 450  | 450  | 45 |
| SV46/45  | 450  | 600  | 45 |
| SV64/45  | 600  | 450  | 45 |
| SV66/45  | 600  | 600  | 45 |
| SV67/45  | 600  | 750  | 45 |
| SV68/45  | 600  | 800  | 45 |
| SV69/45  | 600  | 900  | 45 |
| SV612/45 | 600  | 1200 | 45 |
| SV77/45  | 750  | 750  | 45 |
| SV710/45 | 750  | 1000 | 45 |
| SV86/45  | 800  | 600  | 45 |
| SV812/45 | 800  | 1200 | 45 |
| SV106/45 | 1000 | 750  | 45 |

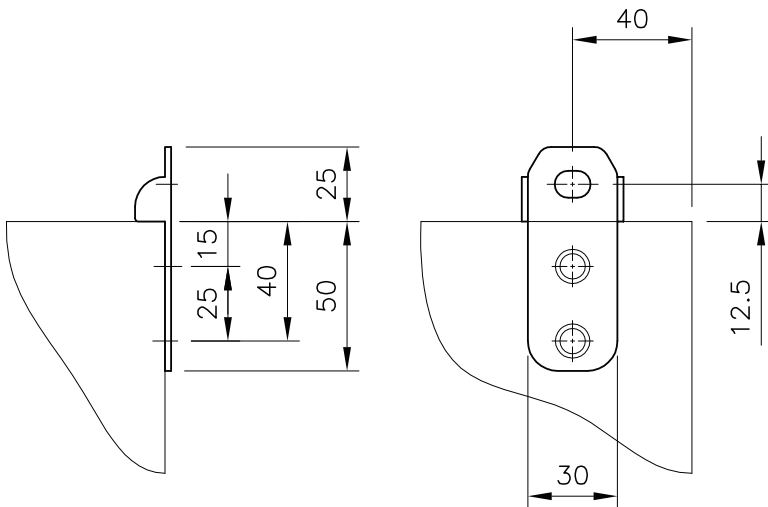
| ITEM.    | A    | B    | C  |
|----------|------|------|----|
| SV33/75  | 300  | 300  | 75 |
| SV34/75  | 300  | 450  | 75 |
| SV36/75  | 300  | 600  | 75 |
| SV43/75  | 450  | 300  | 75 |
| SV44/75  | 450  | 450  | 75 |
| SV46/75  | 450  | 600  | 75 |
| SV64/75  | 600  | 450  | 75 |
| SV66/75  | 600  | 600  | 75 |
| SV67/75  | 600  | 750  | 75 |
| SV68/75  | 600  | 800  | 75 |
| SV69/75  | 600  | 900  | 75 |
| SV612/75 | 600  | 1200 | 75 |
| SV77/75  | 750  | 750  | 75 |
| SV710/75 | 750  | 1000 | 75 |
| SV86/75  | 800  | 600  | 75 |
| SV812/75 | 800  | 1200 | 75 |
| SV106/75 | 1000 | 750  | 75 |



## WALL FIXING LUGS

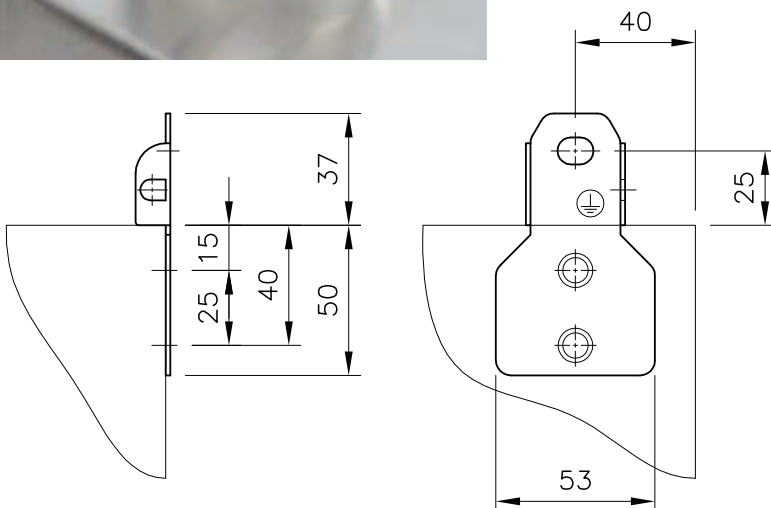
Made of AISI 316L s/s, they are easily set to the back of the cabinets serie "Q" and "M", or can be used for wall fixing of the top of CC cabinets for greater stability. Water- and dust-tightness keep unchanged thanks to the special seals. Each kit includes the assembling instructions, screws and gaskets.

- **SP025** – kit of 4 pcs



Made of Aisi 316L s/s, same features as the SP025 fixing, they are equipped with a wider rest base that permits to spot-weld them to the enclosure without using setscrews. Prearranged for the fixing of an earthing cable.

- **SP035** – kit of 4 pcs





## GAS-OPERATED SPRINGS

The gas-operated springs are designed to open the doors upwards (seagull-wings); they facilitate opening and feature a braking device on top of the wing, reaching a balanced position when the door is open. Different capacities are available to meet specific requirements.

When ordering the springs, the weight and position of instruments and/or equipment, if any, should be mentioned so that the spring best suiting your requirements can be determined.

- **SA901** - pair of gas-controlled spring



## RATCHET LOCK

Various optional locks are available, all perfectly interchangeable with the standard ones, either with low-voltage or Yale key.

| ITEM.             | TYPE                        | OUTSIDE          | MATERIAL INSERT | TONGUE     |
|-------------------|-----------------------------|------------------|-----------------|------------|
| <b>SG215S(**)</b> | box lock - twin-comb insert | S/S              | S/S             | galvanized |
| <b>SG221I</b>     | "T" handle key              | black polyamides | S/S             | S/S        |
| <b>SG226I</b>     | wing nut lock key           | black polyamides | S/S             | S/S        |
| <b>SG227I</b>     | "L" handle key              | black polyamides | S/S             | S/S        |

### NOTE:

(\*) Key EK333 - Yale type - is supplied with the lock. Different key coding can be provided on request.

(\*\*) Lock item SG215S are supplied without key. Optional key, to be ordered separately: item SG205CG – not s/s. To receive also the tongue in A.304 s/s, order It. KIT SG215.



## SUPPORT RODS

Compass type, designed to open the cabinet doors upwards (seagull-wings). Safe and convenient, they have an automatic hooking device that allow to keep the doors open. Available both in right and left version: as from dimm.600x600 the use of two rods is recommended, for lower dimensions a single rods is enough.

- **ASD01**: right support rod
- **ASS01**: left support rod

**NOTE:** they can be assembled up to the 600x900 size, if no further weight is applied to the door.  
The gas-operated springs must be used for greater sizes.



## ANTI-CLOSING DEVICE

Made of AISI 304 stainless steel, is recommended to avoid the accidental closing of the door.

Not suitable for cabinet with upward opening door (seagull-wing).

Delivered in assembling kit

- **DAC01**



## GRIP HANDLES

Made of AISI 304 s/s rod, mirror polished; recommended when the cabinets are used as control boxes.

They are delivered in assembling kit and come in two versions:

- **MNB200**: fixing distance between centres (l) 200 mm
- **MNB300**: fixing distance between centres (l) 300 mm



## ADJUSTABLE FEET

Cylindrical, perfectly cleanable in AISI 304 S.S.

- **SA2000:** adjustable from 125 to 165 mm
- **SA2200:** adjustable from 165 to 205 mm

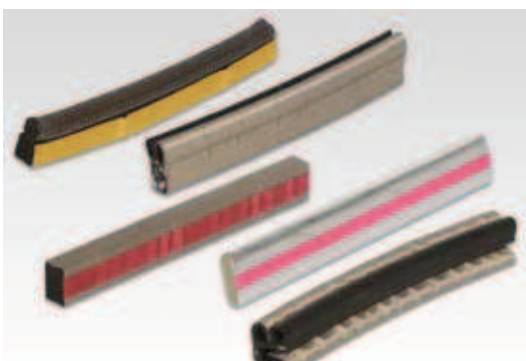


## FIXED LECTERN

**IP66**

Made of AISI 304 s/s, finely satin-finished and protected, they are fitted directly to the door. Their execution and shape enable satisfactory space availability, even in restricted space conditions. The handy lower panel also allows wiring without the need for pushbuttons, instruments or raceways being secured to movable or removable parts. The top surface is perfectly smooth and free from gaps for improved cleaning. Three lengths are available:

- **SA531** - fixed lectern L. 600
- **SA532** - fixed lectern L. 800
- **SA535** - fixed lectern L. 1000



## ELECTROCONDUCTIVE GASKET

**emc<sup>®</sup>**

The electroconductive gasket is required to shield the electric or magnetic field.

The elasticity of the gasket is obtained by using various foamed materials: silicone, neoprene or epdm depending on the conditions of use.

- **GCE**