





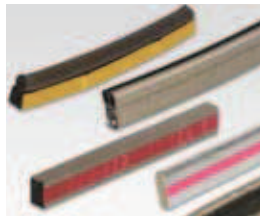
ACCESSORIES LECTERNS

pag. 78/80

• SKIRTING



• GASKET



• DIAGRAM HOLDING POCKET



• FEET



LECTERNS

- Material: stainless steel AISI 304 scotch brite satin-finished and protected on one side
- Container obtained from a single steel sheet
- Fairlead plate with seal
- Solid doors
- Box type locks with 3-point control rods
- Inner hinges made of stainless steel, 120° according to IEC recommendation EN 60204-1
- Maximum weight on the door: 12 Kg.
- Lip seal made from foamed polyurethan
- Internal plate made of zinc-plated sheet sendzimir EN 10142; thickness 25/10 fastened at the bottom of the container by means of stud bolt made of stainless steel and supported by appropriate rests in ABS, which relieve the stud bolts of the weight of the plate and the appliances adopted
- Pre-arrangement earthing as per rules in force
- Protection degree IP66 for lecterns with one door, IP65 for lecterns with 2 doors



Underwriters Laboratories

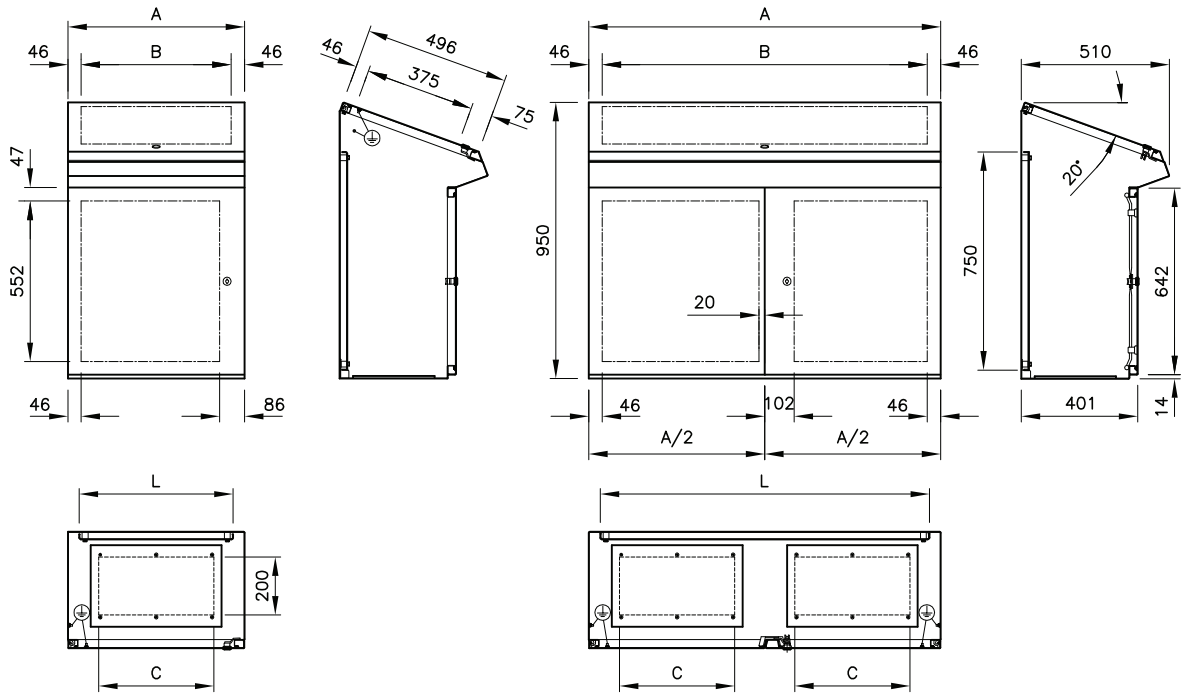
IP66



TYPE NEMA 4X

on demand

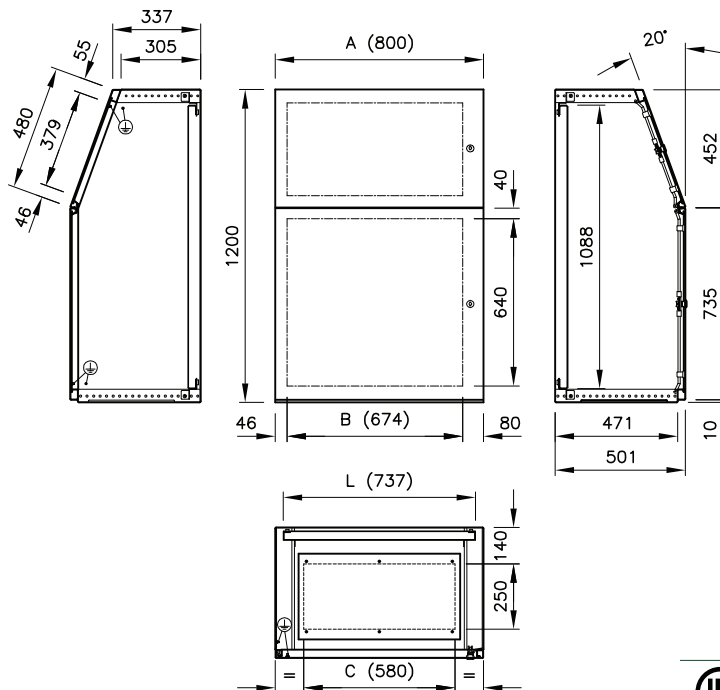
LECTERNS



ITEM.	A	B	C	L
QP600	608	516	396	530
QP800	808	716	596	730
QP1000	1008	916	596	930

ITEM.	A	B	C	L
QP1200	1211	1119	396	1133
QP1600	1611	1519	596	1533

REMARK: Not ul certified



ITEM.	A	B	C	L
QP0812	800	674	580	737

REMARK: Not ul certified



IP66

EN 60 529



TYPE NEMA 4X, 4, 12, 1

Standard UL508A - UL50 Standard 250



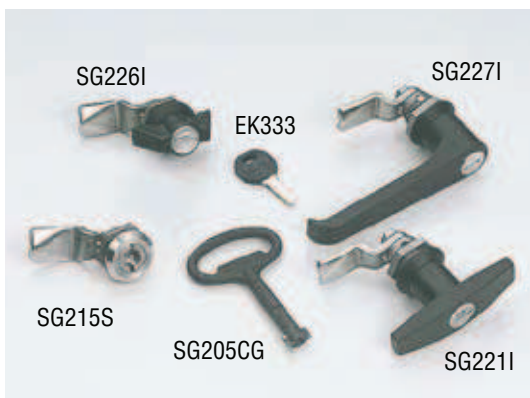
EN 60204-1 89/392/EEC



SKIRTING

Simple and sturdy execution, they are made of EN 1.4301 s/s (AISI 304) carefully satin-finished and protected. Pre-arranged for side and back cable entry (or front) and for application of feet, where the need be ; the bottom is open to the ground: on request, they can be delivered with panels for bottom closing that can be used also as cable supports. Protection degree is IP20 with bottom pannel in place. Can be delivered either in assembling kit or pre-assembled, complete with the necessary kit for securing to the ground. Available in 100 and 200 mm height.

ITEM.	FOR SMALL CABINETS	HEIGHT MM	BOTTON CLOSING PANEL
ZA06104	QP600	H.100	P0604
ZA06204	QP600	H.200	P0604
ZA08104	QP800	H.100	P0804
ZA08204	QP800	H.200	P0804
ZA08105	QLP812	H.100	P0805
ZA08205	QLP812	H.200	P0805
ZA10104	QP1000	H.100	P1004
ZA10204	QP1000	H.200	P1004
ZA12104	QP1200	H.100	P1204
ZA12204	QP1200	H.200	P1204
ZA16104	QP1600	H.100	P1604
ZA16204	QP1600	H.200	P1604



RATCHET LOCK

Various optional locks are available, all perfectly interchangeable with the standard ones, either with low-voltage or Yale key.

ITEM.	TYPE	OUTSIDE	MATERIAL INSERT	TONGUE
SG215S(**)	box lock - twin-comb insert	S/S	S/S	galvanized
SG221I	"T" handle key	black polyamides	S/S	S/S
SG226I	wing nut lock key	black polyamides	S/S	S/S
SG227I	"L" handle key	black polyamides	S/S	S/S

REMARKS:

(*) Key EK333 - Yale type - is supplied with the lock. Different key coding can be provided on request.

(**) Lock item SG215S are supplied without key. Optional key, to be ordered separately: item SG205CG – not s/s. To receive also the tongue in A.304 s/s, order It. KIT SG215.



DIAGRAM HOLDING POCKET

Delivered in assembling kit with bi-adhesive tape, available in 3 models:

- **SG109**: orange ABS, for A4 documents
- **SG108**: AISI 304 stainless steel, for A4 documents
- **SG110**: AISI 304 stainless steel, for A3 documents



ADJUSTABLE FEET

Cylindrical foot perfectly cleanable in AISI 304 s/s

- **SA2000**: adjustable from 125 à 165 mm
- **SA2200**: adjustable from 165 à 205 mm

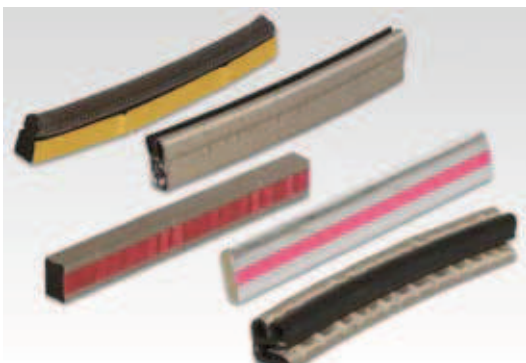


GAS-OPERATED SPRINGS

The gas-operated springs are designed to open the doors upwards (seagull-wings); they facilitate opening and feature a braking device on top of the wing, reaching a balanced position when the door is open. Different capacities are available to meet specific requirements.

When ordering the springs, the weight and position of instruments and/or equipment, if any, should be mentioned so that the spring best suiting your requirements can be determined.

- **SA901** - pair of gas-controlled spring



ELECTROCONDUCTIVE GASKET

emc[®]

The electroconductive basket is required to shield the electric or magnetic field.

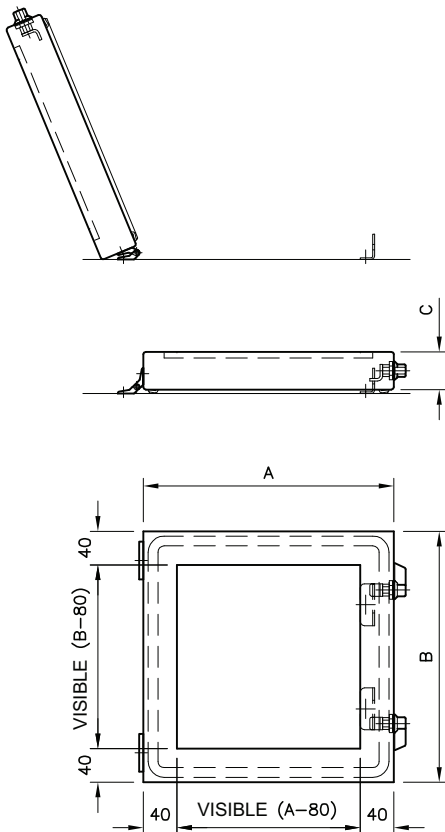
The elasticity of the gasket is obtained using various foamed materials: silicone, neoprene or epdm depending on the conditions of use.

- **GCE**

OVERDOORS

Realized in stainless steel X5 CrNi 18/10 EN 1.4301 (AISI 304) finely satin-finished, with 3+3 layer shatterproof glass, are suitable when instrumentations applied on the external door have to be protected. Complete with wing-nut lock, galvanized, black, with Yale type key and build-in seal, 180° opening. Protection degree IP65.

REMARK: when set on width exceeding the width of the over-door panel, the max. opening is 90°.



ITEM.	A	B	C
SV33/45	300	300	45
SV34/45	300	450	45
SV36/45	300	600	45
SV43/45	450	300	45
SV44/45	450	450	45
SV46/45	450	600	45
SV64/45	600	450	45
SV66/45	600	600	45
SV67/45	600	750	45
SV68/45	600	800	45
SV69/45	600	900	45
SV612/45	600	1200	45
SV77/45	750	750	45
SV710/45	750	1000	45
SV86/45	800	600	45
SV812/45	800	1200	45
SV106/45	1000	750	45

ITEM.	A	B	C
SV33/75	300	300	75
SV34/75	300	450	75
SV36/75	300	600	75
SV43/75	450	300	75
SV44/75	450	450	75
SV46/75	450	600	75
SV64/75	600	450	75
SV66/75	600	600	75
SV67/75	600	750	75
SV68/75	600	800	75
SV69/75	600	900	75
SV612/75	600	1200	75
SV77/75	750	750	75
SV710/75	750	1000	75
SV86/75	800	600	75
SV812/75	800	1200	75
SV106/75	1000	750	75