

# computer cabinets

APC

64

Computer cabinets

APC

Accessories





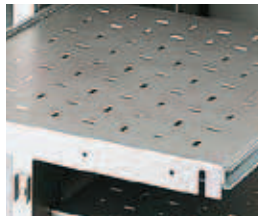
#### ACCESSORIES FOR COMPUTER CABINETS

pag. 69/73

##### • WHEELS



##### • APE66



##### • SKIRTING PLATE



##### • DIAGRAM HOLDING POCKETS



## COMPUTER CABINET APC

- Made of EN 1.4301 (Aisi 304) s/s, satin- finishing with Ra < 0.38 micron.
- Self-bearing structure, closed, welded in inert atmosphere. All edges feature 25 mm spaced drilling to house front-setting M5 and M6 cages for accessories securing.
- right-hand hinged front doors, with inner hinges, all stainless steel manufacture: 120° opening according to CEI EN 60204-1 rules. The upper door is for video protection and includes a layered safety glass, 3+3 mm thick for videos ranging from 14" to 19" in size depending on the type and position of the screen. The lower door is blind and rests 28 mm above the frame bottom to allow easy opening even when no skirting plate, feet or wheels are installed.
- The locks are of the multi-point ratched type, with steel rods and wing nut keylocks.
- Bolted rear panel, fitted with special sucker-type spacers in hard rubber which, in addition to making a seal on the screw, are leak-proof. The panel can be replaced by a hinged door, on request.
- Protection degree: IP65
- Heat dissipation: when the operation conditions are not too heavy (installation of one PC with its screen and printer for a total of 300 W, with  $\Delta t$  15°C and 3 sides and the top of the cabinet free, the surface can dissipate all of the installed power. For more detailed calculations, see section "CONDITIONING AND VENTILATION"

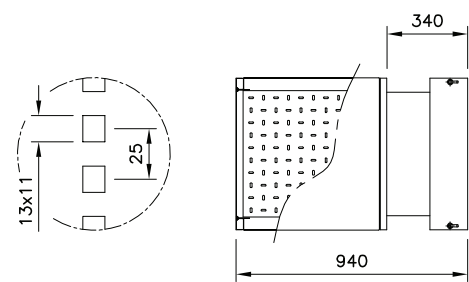
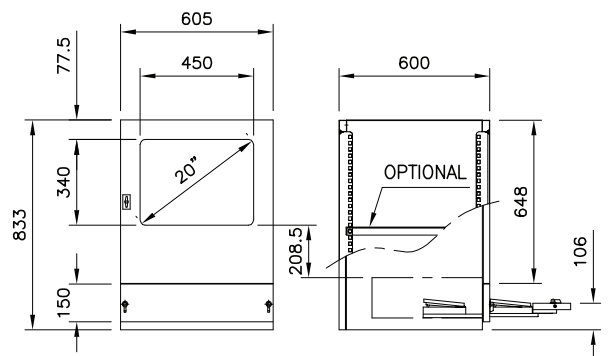
Single-door base cabinet with extractable keyboard and no lower compartment for printer housing

The extractable plane, for keyboard fixing (max sizes 480x190 mm) when open allows the use of the keyboard while keeping IP20 protection degree for the cabinet. The front board of the extractable plane, tilting, can be used mouse rest

- APC608TE



IP65 EN 60 529		
CE	EN 60204-1	89/392/EEC



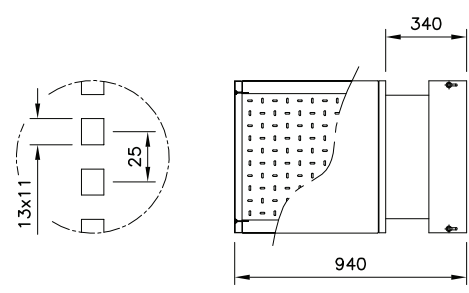
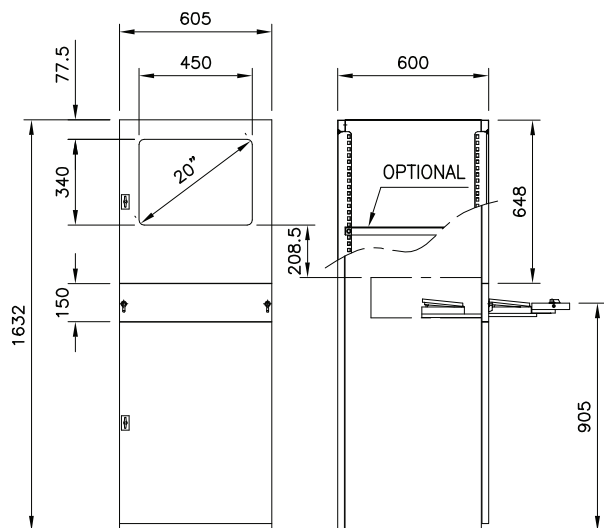
## Two-door base cabinet with extractable plane for keyboard and lower compartment for printer housing

The extractable plane, for keyboard fixing (max sizes 480x190 mm) when open allows the use of the keyboard while keeping IP20 protection for the cabinet. The front part of the extractable panel, tilting, can be used mouse rest. The lower compartment can accommodate shelves, drawers, inner plates or 19" rack section irons, all optional and available on request.

- APC616TE



<b>IP65</b> EN 60 529		
<b>CE</b>	EN 60204-1	89/392/EEC



Single front door cabinet, with fixed console and without lower compartment for printer housing.

The console can be used to support exposed conventional keyboards or to accommodate recessed industrial keyboards (the console is usually delivered blind: piercing, if any, can be done if so requested at order).

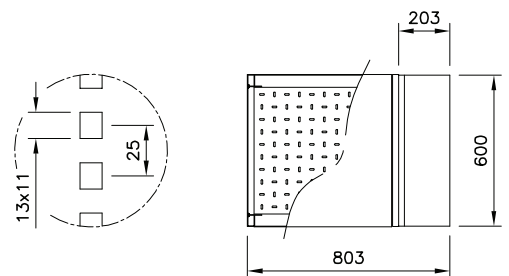
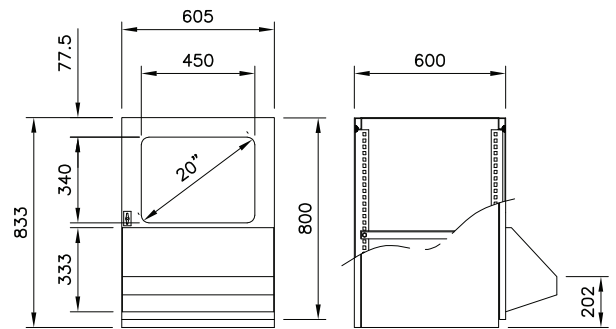
- APC608C



IP65 EN 60 529



EN 60204-1 89/392/EEC



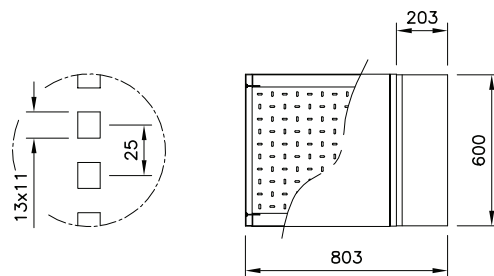
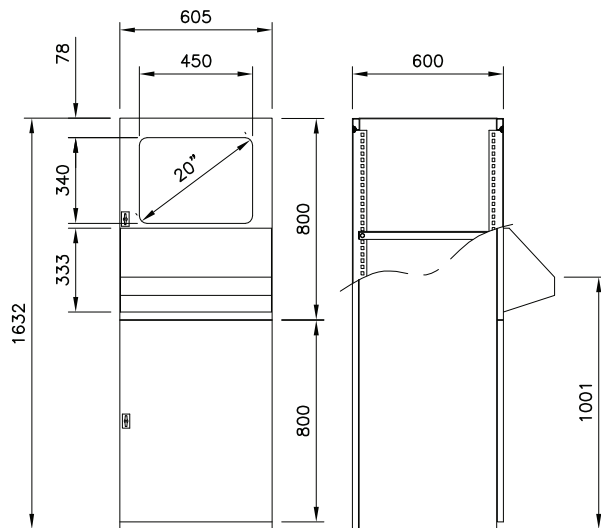
Base cabinet with two front doors, fixed console and lower compartment for printer housing.

The console can be used to support exposed conventional keyboards or to house recessed industrial keyboards (the console is usually delivered blind: piercing, if any, can be done if so requested at order).

- **APC616C**



	<b>IP65</b> EN 60 529
	EN 60204-1 89/392/EEC





## PAIR OF STIRRUPS FOR VIDEO SECURING

Designed to secure the base of the tabletop screen to the support plane. Suitability should be checked before purchase, making sure the base of the video is sturdy enough to allow securing it, and sizes are correct.

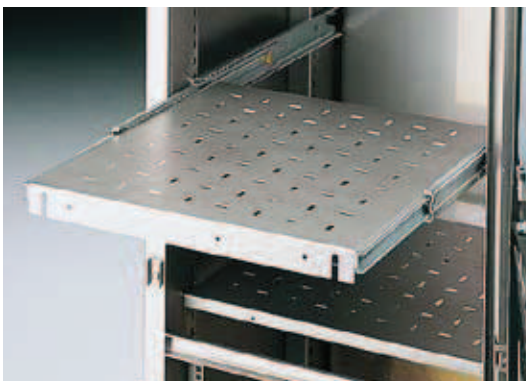
- ASV



## HORIZONTAL PARTITION BAFFLE

Made of AISI 304 S.S., pre-drilled for cable passage between the two compartments. Protection degree IP20. The very stiff structure makes it suitable for use as support plane, too.

- ASP066



## EXTRACTABLE SHELF

Drilled extractable shelf for cabinet 600 x 600 mm. Same features as the shelf above, set on fully extractable guides, it is the ideal housing for form-fed printers fitted with their own paper tray, or for line-fed printers with printer holder (from computer shops). Shelf capacity 45 KGs

- APE66





## FIXED SHELF, DRILLED, FOR CABINET, 600X600 MM.

To support screens, CPU, fixed printers and all that doesn't require frequent pulling out, it is drilled so that the elements it supports can be fixed, and air circulation inside the cabinet is improved. Installation by screws supplied with the cabinet which, by matching similar slots in the uprights enable perfect adjustment on the whole length.

- APF66



## EXTRACTABLE DRAWER FOR CONTINUOUS FORM PRINTERS FOR CABINET 600 X 600.

Set on fully extractable guides, it has been designed to house printers featuring max. overall dimensions 490 x 550 mm. Special attention has been paid to details (paper path, the path of supply cables, accessibility, etc.) while dimensions have been kept to the minimum. Drawer bearing capacity kgs.40

- ACS66



## PAIR OF 19" RACK SECTION IRONS

For installation either on cabinet upper or lower compartment, they can house 16 HE units

- APR16



## SKIRTING BOARD

Modular, accessibility on 3 sides, it allows fixing of wheels or adjustable feet. The bottom is open to the ground.

- **ZA06106** - Skirting board 600x600 x 100 h.
- **ZA06206** - Skirting board 600x600 x 200 h.



## SET OF FOUR FASTENERS FOR WALL MOUNTING

Fit for application on cabinets with back panel, they are supplied on request with cabinets art. APC608C and APC608TE.

- **SP020**



## REAR DOOR

Made of AISI 304 S.S., fine satin-finished and protected, it can replace the back panel in items APC616C and APC616TE.

- **P0616S**



## INNER PLATE 500 X 750

Inner plate for lower compartment, to be secured to the most backwards part of the cabinet, it features flanged edges. It cannot be used when extractable shelves and/or printer drawer are installed.

- PA0575



## SET OF 4 CASTERS DIAM. 80 WITH S/S. SUPPORT

Grey rubber wheels, two of which have a double-action brake. Capacity 50 kg each

- RPF080



## ELECTROCONDUCTIVE GASKET

emc<sup>®</sup>

The electroconductive basket is required to shield the electric or magnetic field.

The basket elasticity is achieved using various foamed materials: silicone, neoprene or epdm depending on the conditions of work.

- GCE



## DIAGRAM HOLDING POCKET

Delivered in assembling kit with bi-adhesive tape, they come in 3 models:

- **SG109** - orange ABS, for A4 documents
- **SG108** - AISI 304 stainless steel, for A4 documents
- **SG110** - AISI 304 stainless steel, for A3 documents



## ADJUSTABLE FEET

Cylindrical, perfectly cleanable, AISI 304 S/S.

- **SA2000** - adjustable from 125 to 165 mm
- **SA2200** - adjustable from 165 to 205 mm