



Photo: Inside view

- High degree of protection**
- Good drainage performance**
- Easy to install**
- Robust, weather and UV-light protected housing**

Condensate occurs in enclosures and housings with high protection type by variations in temperature. The use of a drainage device allows the conveying of the condensate without losing the maximum protection type of IP66. The water permeable membrane makes sure the drainage of the enclosure by the capillary attraction. The construction prevents the infiltration of splash water into the enclosure.

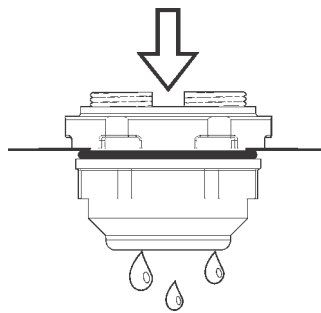


Technical Data

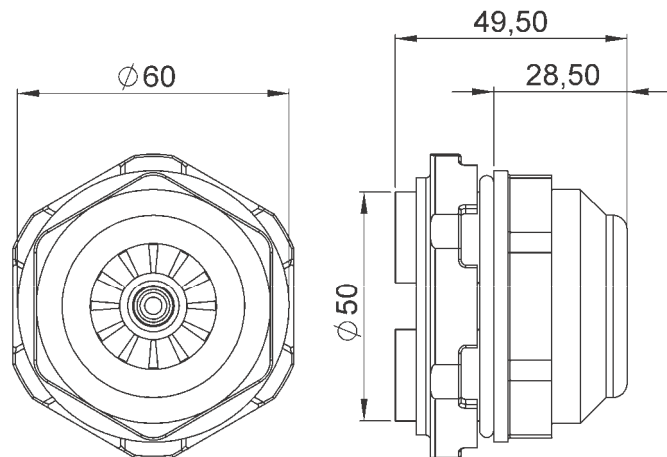
Mounting	thread M50 x 1.5 with nut (wrench size: nut 60mm, housing 50mm)
Torque	6Nm max.
Depth in enclosure	max. 17.5mm
Material	plastic according to UL94 V-0, umbra grey, weather proof and UV light resistant according UL746C (f1)
Water entry height	0mm (at 0.5mm wall thickness)
Sealing	sealing gasket NBR
Water flow-through	approx. 200ml/h at a water column of 5mm
Dimensions	Ø 60 x 49.5mm
Fitting position	vertical, lowest point
Operating / Storage temperature	-45 to +70°C (-49 to +158°F)

Installation

Make cut-out Ø 50,5^{+0.5}mm in enclosure bottom and mount pressure compensation device with nut. Please make sure that the sealing gasket is put in place on the outer side panel of the enclosure and the hole is free of burrs.



Fitting position



Art. No.	Protection type	Enclosure wall thickness	1 packing unit	Weight (approx.)
08410.0-00	IP66 / IP67 (EN 60529) / IP69K (EN 40050-9)	0.5 - 5.5mm	1 piece	60g