



Photo: Inside view

Simple to mount

High degree of protection

It has become more and more important to provide a protected enclosure environment for valuable and crucial electrical and electronic components. In a tightly closed enclosure, pressure differentials can occur during extreme temperature variations, such as day/night operation. When this occurs, the risk of dust and humidity being absorbed into the control panel increases dramatically. The specially designed pressure compensation plug DA 084 permits a controlled change in pressure. It can be installed easily in any enclosure. Because of the pressure compensation plug's high degree of protection (IP45), the protection type of the enclosure will not be affected.

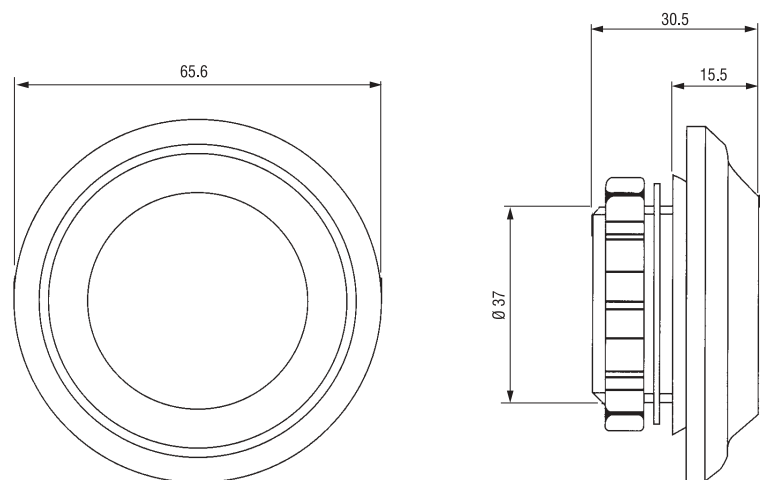


Technical Data

Mounting	PG 29 thread with union nut
Material	plastic according to UL94 V-0
Air interface	approx. 7cm ²
Dimensions	Ø 65.5mm x 30.5mm
Fitting position	variable
Operating/Storage temperature	-45 to +70°C (-49 to +158°F)

Installation

For mounting, a hole with a diameter of Ø 37^{+1mm} is required. For optimal pressure compensation, it is recommended that two plugs are installed diagonal to each other.



Art. No.	Model	Protection type	1 packing unit	Weight (approx.)
08400.0-00	without gasket	IP45	2 pieces	62g (31g/piece)
08400.0-04	with gasket	IP55	2 pieces	62g (31g/piece)