

# Compact high-performance Fan Heater CS 130 (Semiconductor)

1,200W



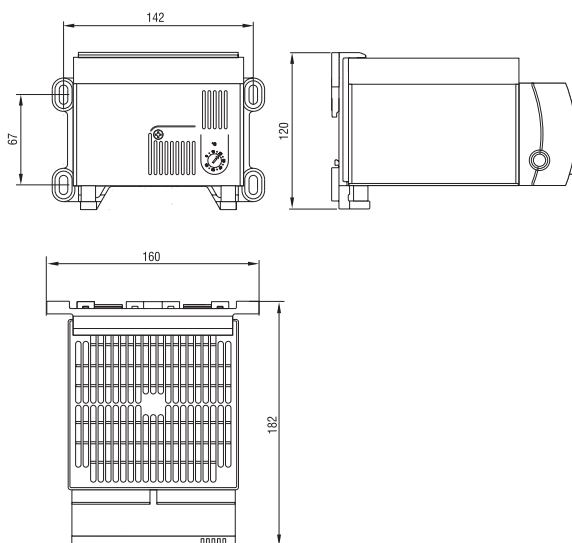
- **Compact design**
- **High heating performance**
- **Double insulated**
- **Integrated thermostat (optional)**
- **Optional clip or screw fixing**

The compact high performance fan heater prevents formation of condensation and provides an evenly distributed interior air temperature in enclosures with electric/electronic components. The plastic enclosure provides double insulation and acts as protection against contact. The fan heater is available with optional integrated thermostat for temperature control. The CS 130 was designed as a stationary unit for wall fixing. For fixing on the bottom of the enclosure the fan heater CS 030 is recommended.

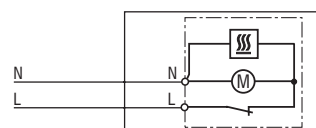


## Technical Data

<b>Heating element</b>	PTC resistor - temperature limiting
<b>Temperature safety cut-out</b>	to protect against overheating in case of fan failure
<b>Axial fan, ball bearing</b>	airflow 160m³/h, free flow service life 50,000h at 25°C (77°F)
<b>Casing</b>	plastic according to UL94 V-0, black
<b>Connection</b>	2-pole max. 2.5mm², clamping screw with strain relief, torque 0.8Nm max.
<b>Mounting</b>	clip for 35mm DIN rail, EN 50022 or screw fixing (M6)
<b>Fitting position</b>	horizontal
<b>Operating / storage temperature</b>	0 to +60°C (+32 to +140°F) / -45 to +70°C (-49 to +158°F)
<b>Dimensions</b>	182 x 160 x 120mm
<b>Weight</b>	approx. 1.25kg
<b>Protection type / protection class</b>	IP20 / II (double insulated)



Connection diagram



Art. No.	Model	Operating voltage	Heating capacity*	Inrush current max.	Setting range	Approvals
13060.0-00	Fan Heater with thermostat	230VAC, 50/60Hz	1,200W	13A	0 to +60°C	VDE + UL intended
13060.0-01	Fan Heater without thermostat	230VAC, 50/60Hz	1,200W	13A	-	VDE + UL intended
13060.9-00	Fan Heater with thermostat	120VAC, 50/60Hz	1,200W	16A	+32 to +140°F	UL intended
13060.9-01	Fan Heater without thermostat	120VAC, 50/60Hz	1,200W	16A	-	UL intended

\* at 20°C (68°F) ambient temperature