

Single-row, 4.5 MCB module units  
1 MCB = 18 mm = 81 mm altogether

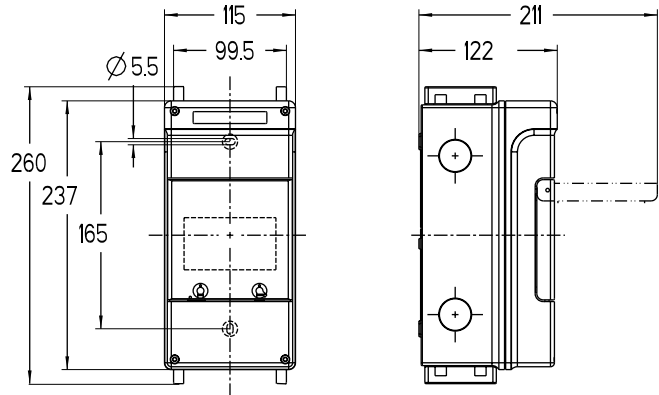
## Consumer boxes, single-row





### Consumer boxes 4.5 MCB

Plastic polystyrene, grey, RAL 7035  
Rated voltage AC 230/400V  
Transparent cover with locking facility, opens upwards

**Internally fitted with:**  
DIN-rails for built-in devices with snap mounting  
2 x 5 pole PE/N terminal blocks

For horizontal flanging connecting studs are available  
for the protection degrees IP 54 or IP 65



Description	IP	Part No.	 	EAN-No. 4015609...
<b>Cable entries with double membrane seals on enclosure top and bottom</b>				
<b>Standard</b>	<b>IP 65</b>	<b>IV 104 15</b>	1	
Transparent cover without seal	IP 41	IV 104 151	686	232079
			680	232086
<b>Includes:</b> Assembly instructions Labeling strips Sealing plugs Cover plate				
<b>Knock-out cable entries on enclosure top and bottom</b>				
Complete cable glands	IP 65		1	
<b>Grommets</b>	<b>IP 54</b>	<b>IV 104 26</b>	593	232093
Transparent cover without seal	IP 41	IV 104 261	587	232109
<b>Includes:</b> Assembly instructions Labeling strips Grommets (3 x M 20)				

Single-row, 13 MCB module units  
1 MCB = 18 mm = 234 mm altogether

## Consumer boxes, single-row

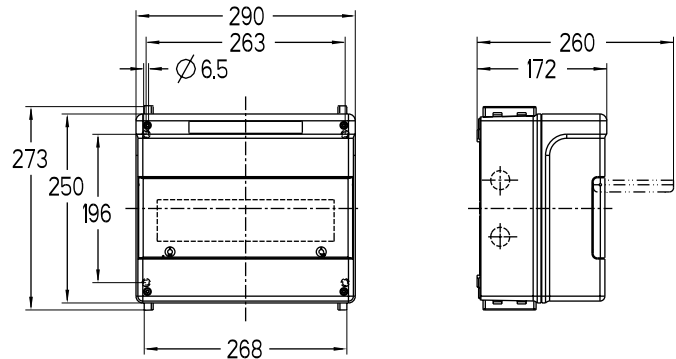
### Consumer boxes 13 MCB

Plastic polystyrene, grey RAL 7035  
Rated voltage AC 230/400V  
Transparent cover with locking facility, opens upwards

**Internally fitted with:**

DIN-rails for built-in devices with snap mounting  
2 x 17 pole PE/N terminal blocks  
N-terminal, can be divided with tool as required

**For horizontal flanging connecting studs are available for protection degree IP 54 or IP 65**



The four fixing holes are located outside the sealing area.

Description	IP	Part No.		EAN-No. 4015609...
<p><b>Cable entries with double membrane seals on top and bottom</b></p> <p><b>Standard</b> IP 65 IV 113 15</p> <p>Transparent cover without seal IP 41 IV 113 151</p> <p><b>Includes:</b> Assembly instructions Labeling strips Cover strip for mounting space Sealing plugs Cover plate</p>				<p>1 2174 232314</p> <p>2160 232321</p>
<p><b>Knock-out cable entries on top and bottom</b></p> <p>Complete cable glands, protection degree IP 65 <b>Grommets</b> IP 54 IV 113 26</p> <p>Transparent cover without seal IP 41 IV 113 261</p> <p><b>Includes:</b> Assembly instructions Labeling strips Cover strip for mounting space Grommets 1 x M 32/40, 2 x M 25, 6 x M 20</p>				<p>1 1884 232338</p> <p>1870 232345</p>
<p><b>Flange opening on top and bottom</b> for vertical flanging</p> <p><b>Standard</b> IP 65 IV 113 48</p> <p>Transparent cover without seal IP 41 IV 113 481</p> <p><b>Includes:</b> Assembly instructions Labeling strips Cover strip for mounting space</p> <p>Please order separately: 2 ea. flange frame sets</p>				<p>1 1800 232352</p> <p>1786 232369</p>

**2-row, 26 MCB module units**  
1 MCB = 18 mm = 468 mm altogether

## Consumer boxes, 2-row

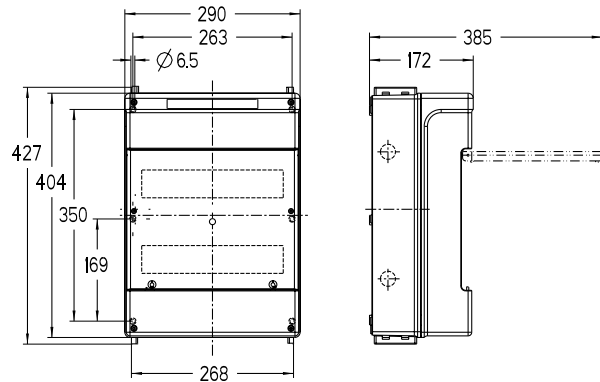
### Consumer boxes 26 MCB

Plastic polystyrene, grey RAL 7035  
Rated voltage AC 230/400V  
Transparent cover with locking facility, opens upwards

**Internally fitted with:**

DIN-rails for built-in devices with snap mounting  
2 x 17 pole PE/N terminal blocks  
N-terminal, can be divided with tool as required

**For horizontal flanging connecting studs are available for protection degree IP 54 or IP 65**



The six fixing holes are located outside the sealing area.

Description	IP	Part No.		EAN-No. 4015609...
<b>Cable entries with double membrane seals on top and bottom</b>				
<b>Standard</b>	<b>IP 65</b>	<b>IV 126 15</b>		1 3252    232642 3232    232659
Transparent cover without seal	IP 41	IV 126 151		
<b>Includes:</b> Assembly instructions Labeling strips Cover strip for mounting space Sealing plugs Cover plate				
<b>Knock-out cable entries on top and bottom</b>				
Complete cable glands, protection degree	IP 65			1 2911    232666 2891    232673
<b>Grommets</b>	<b>IP 54</b>	<b>IV 126 26</b>		
Transparent cover without seal	IP 41	IV 126 261		
<b>Includes:</b> Assembly instructions Labeling strips Cover strip for mounting space Grommets 1 x M 32/40, 2 x M 25, 6 x M 20				
<b>Flange opening on top and bottom</b> for vertical flanging				
<b>Standard</b>	<b>IP 65</b>	<b>IV 126 48</b>		1 2845    232680 2825    232697
Transparent cover without seal	IP 41	IV 126 481		
<b>Includes:</b> Assembly instructions Labeling strips Cover strip for mounting space				
Please order separately: 2 ea. flange frame sets				

**3-row, 39 MCB module units**  
1 MCB = 18 mm = 702 mm altogether

## Consumer boxes, 3-row

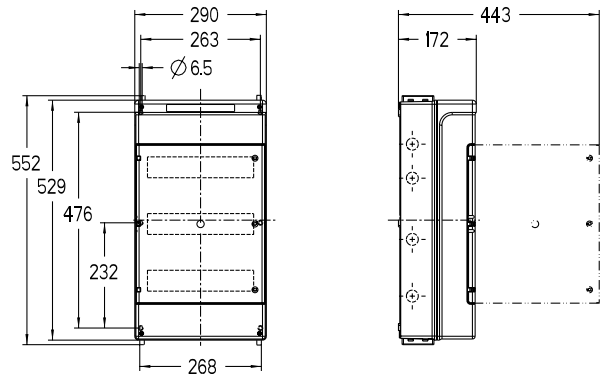
### Consumer boxes 39 MCB

Plastic polystyrene, grey RAL 7035  
Rated voltage AC 230/400V  
Transparent cover with locking facility  
opens to the left, alternatively to the right




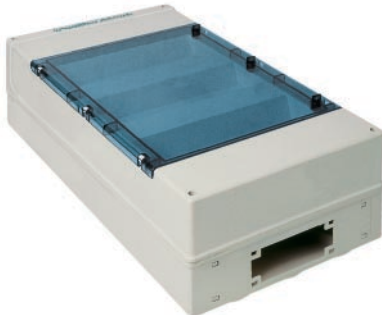
**Internally fitted with:**

DIN-rails for built-in devices with  
snap mounting  
4 x 17 pole PE/N terminal blocks  
N-terminal, can be divided with tool as required

**For horizontal flanging connecting studs are available for  
protection degree IP 54 or IP 65**



The six fixing holes are located outside the sealing area.

	IP	Part No.		EAN-No. 4015609...
<p><b>Cable entries with double membrane seals on top and bottom</b></p> <p><b>Standard</b> IP 65 IV 139 15</p> <p>Transparent cover without seal IP 41 IV 139 151</p> <p><b>Includes:</b> Assembly instructions Labeling strips Cover strip for mounting space Sealing plugs Cover plate</p>			 <p>1 3680 3650</p>	<p>232963 232970</p>
<p><b>Knock-out cable entries on top and bottom</b></p> <p>Complete cable glands, protection degree IP 65 <b>Grommets</b> IP 54 IV 139 26</p> <p>Transparent cover without seal IP 41 IV 139 261</p> <p><b>Includes:</b> Assembly instructions Labeling strips Cover strip for mounting space Grommets 1 x M 32/40, 2 x M 25, 6 x M 20</p>			 <p>1 3338 3308</p>	<p>232987 232994</p>
<p><b>Flange opening on top and bottom</b> for vertical flanging</p> <p><b>Standard</b> IP 65 IV 139 48</p> <p>Transparent cover without seal IP 41 IV 139 481</p> <p><b>Includes:</b> Assembly instructions Labeling strips Cover strip for mounting space</p> <p>Please order separately: 2 ea. flange frame sets</p>			 <p>1 3258 3228</p>	<p>233007 233014</p>

**4-row, 52 MCB module units**  
1 MCB = 18 mm = 936 mm altogether

## Consumer boxes, 4-row

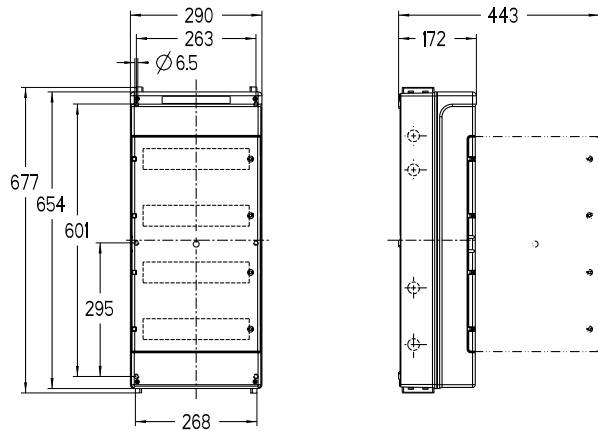
### Consumer boxes 52 MCB

Plastic polystyrene, grey RAL 7035  
Rated voltage AC 230/400V  
Transparent cover with locking facility  
opens to the left, alternatively to the right

**Internally fitted with:**

DIN-rails for built-in devices with  
snap mounting  
4 x 17 pole PE/N terminal blocks  
N-terminal, can be divided with tool as required

**For horizontal flanging connecting studs are available  
for protection degree IP 54 or IP 65**



The six fixing holes are located outside the sealing area.

Description	IP	Artikel-Nr.		EAN-No. 4015609...	
<b>Cable entries with double membrane seals on top and bottom</b>					
<b>Standard</b>	<b>IP 65</b>	<b>IV 152 15</b>		1 4670	233281 233298
Transparent cover without seal	IP 41	IV 152 151			
<b>Includes:</b> Assembly instructions Labeling strips Cover strip for mounting space Sealing plugs Cover plate					
<b>Knock-out cable entries on top and bottom</b>					
Complete cable glands, protection degree	IP 65			1	
<b>Grommets</b>	<b>IP 54</b>	<b>IV 152 26</b>		4381	233304
Transparent cover without seal	IP 41	IV 152 261		4341	233311
<b>Includes:</b> Assembly instructions Labeling strips Cover strip for mounting space Grommets 1 x M 32/40, 2 x M 25, 6 x M 20					
<b>Flange opening on top and bottom</b> for vertical flanging					
<b>Standard</b>	IP 65	<b>IV 152 48</b>		1	
Transparent cover without seal	IP 41	IV 152 481		4174	233328
<b>Includes:</b> Assembly instructions Labeling strips Cover strip for mounting space				4134	233335
Please order separately: 2 ea. flange frame sets					

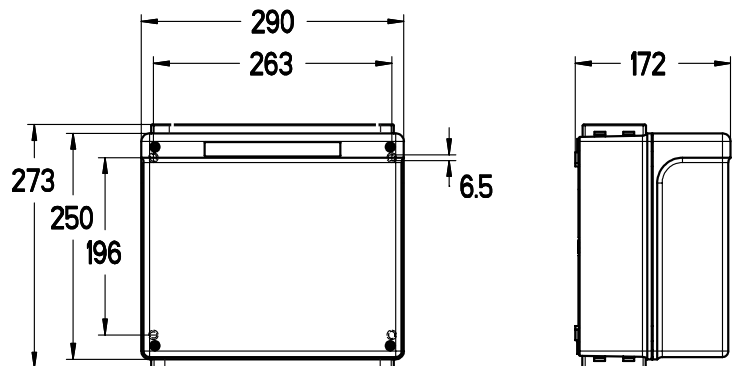
## Consumer boxes

### Terminal boxes IK 13






Plastic polystyrene, grey RAL 7035  
Rated voltage AC 230/400V

**Internally fitted with:**  
DIN-rails for built-in devices with  
snap mounting

**For horizontal flanging connecting studs are  
available for protection degree IP 54 or IP 65**



The four fixing holes are located outside the sealing area.

Description	IP	Part No.	 	EAN-No. 4015609...
<b>Cable entries with double membrane seals on top and bottom</b>  <b>Standard</b>	<b>IP 65</b>	<b>IK 113 15</b>		1 2068  234240
<b>Knock-out cable entries on top and bottom</b>  Complete cable glands, protection degree <b>Grommets</b>	<b>IP 65</b> <b>IP 54</b>	<b>IK 113 26</b>		1 1772  234257
<b>Flange opening on top and bottom</b> for vertical flanging  <b>Standard</b>	<b>IP 65</b>	<b>IK 113 48</b>		1 1695  234264
Please order separately: 2 ea. flange frame sets				