

CS COMPACT ENCLOSURE



method for lifting uses the same eyebolts as ATB8 cabinets

optional 180° hinges available

CS enclosures can be wall-mounted using standard SDWC-010 mounting brackets as used on ST Box programme

studs welded on the internal sides enable the fixing of both the vertical and horizontal profiles WTPR - CS and fast fixing brackets WTPR - R

espagnolette 3-point locking system with multiple insert options

door mounting rails fitted as standard provides for both assembly of horizontal mounting rails (WTTO) as well as providing rigidity

nylon mounting block fixed on plate allows for easy installation (sliding rails CSPP allow easy installation)

newly designed bottom plate provides easy access for cabling

base prepared to accept ATZE plinth mounting H=100mm & 200mm



from left:
- cable entry plates
- fast fixing brackets WTPR-R
- assembled vertical profiles WTPR-CS

CS COMPACT ENCLOSURE WITH SINGLE DOOR



CHARACTERISTICS

- enclosure and door manufactured from 15/10 sheet steel (for enclosure W=800, door manufactured from 20/10 sheet steel)
- mounting plate manufactured from 25/10 sheet steel

PAINT FINISH

ETA standard epoxy polyester powder coating.
Enclosure and door: colour RAL 7035 textured finish.

DELIVERY

Enclosure supplied with:

- 2 sendimir profiles fixed on the door
- mounting plate
- espagnolette 3-point locking system with \varnothing 3mm double bar
- adjustable cable entry

CONFORMITY AND APPROVAL



PROTECTION RATINGS

- IP 55, according to IEC EN62208; EN60529
- NEMA 12 according to UL508A; UL50
- protection degree guaranteed by the two-component polyurethane foam seal (for technical details, refer to page 260)
- impact resistance IK10 complying with IEC EN62208; EN50102.

MAIN ACCESSORIES



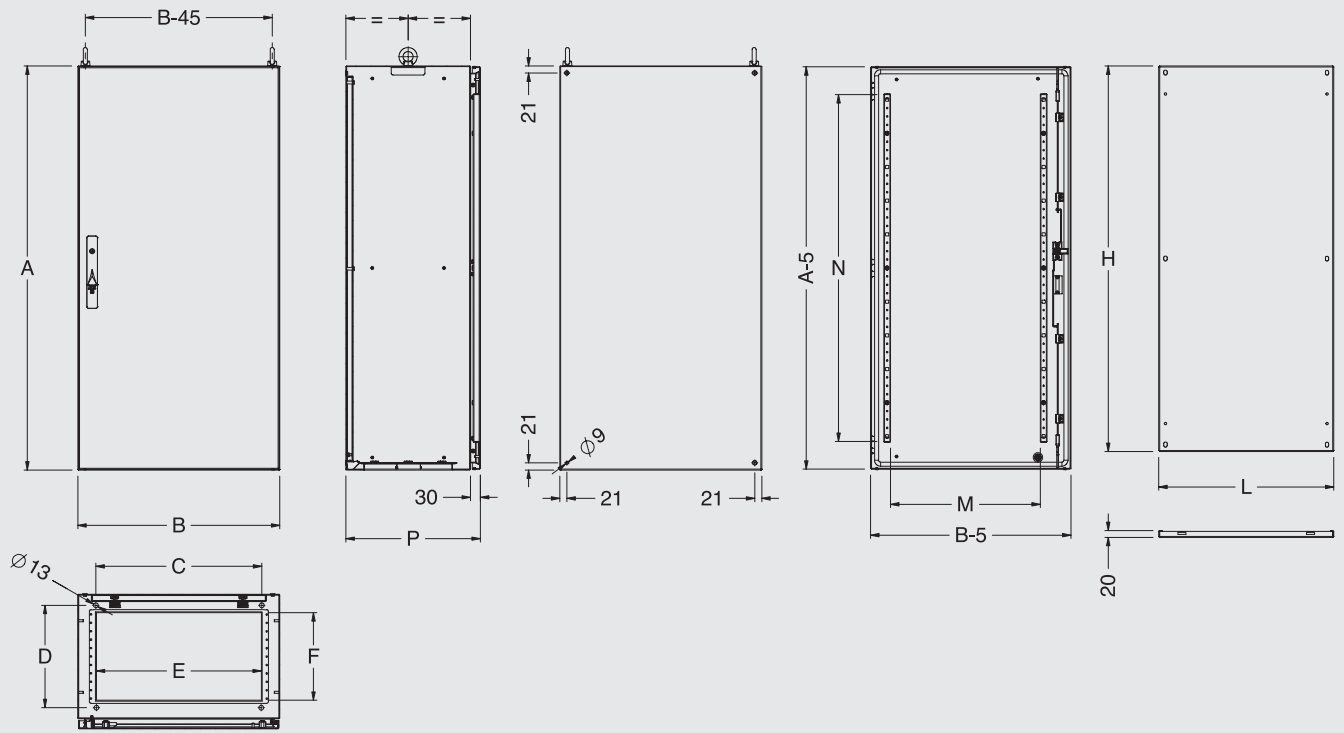
ATZE modular plinth (see page 94)



eyebolts (see page 95)



wall-mounting brackets (see page 95)



DIMENSIONAL SPECIFICATIONS

CODE CS	CABINET DIMENSIONS			FLOOR FIXING		CABLE ENTRY		DOOR SPACE		MOUNT. PLATE DIM.	
	B	A	P	C	D	E	F	M	N	L	H
CS61240	600	1200	400	493	304	490	260	445	1030	520	1145
CS61430	600	1400	300	493	204	490	160	445	1230	520	1345
CS61440	600	1400	400	493	304	490	260	445	1230	520	1345
CS81240	800	1200	400	693	304	690	260	545	1030	720	1145
CS81430	800	1400	300	693	204	690	160	545	1230	720	1345
CS81440	800	1400	400	693	304	690	260	545	1230	720	1345

Note: available on request enclosure with glazed door.
For the product code, add the suffix PX. I.E.: CS61240PX.

CS COMPACT ENCLOSURE WITH DOUBLE DOOR



CHARACTERISTICS

- enclosure and door manufactured from 15/10 sheet steel
- mounting plate manufactured from 25/10 sheet steel

PAINT FINISH

ETA standard epoxy polyester powder coating.
Enclosure and door: colour RAL 7035 textured finish.

DELIVERY

Enclosure supplied with:

- 2 sendzimir profiles fixed on the door
- mounting plate
- espagnolette 3-point locking system with \varnothing 3mm double bar
- adjustable cable entry

CONFORMITY AND APPROVAL



PROTECTION RATINGS

- IP 55, according to IEC EN62208; EN60529
- NEMA 12 according to UL508A; UL50
- protection degree guaranteed by the two-component polyurethane foam seal (for technical details, refer to page 260)
- impact resistance IK10 complying with IEC EN62208; EN50102.

MAIN ACCESSORIES



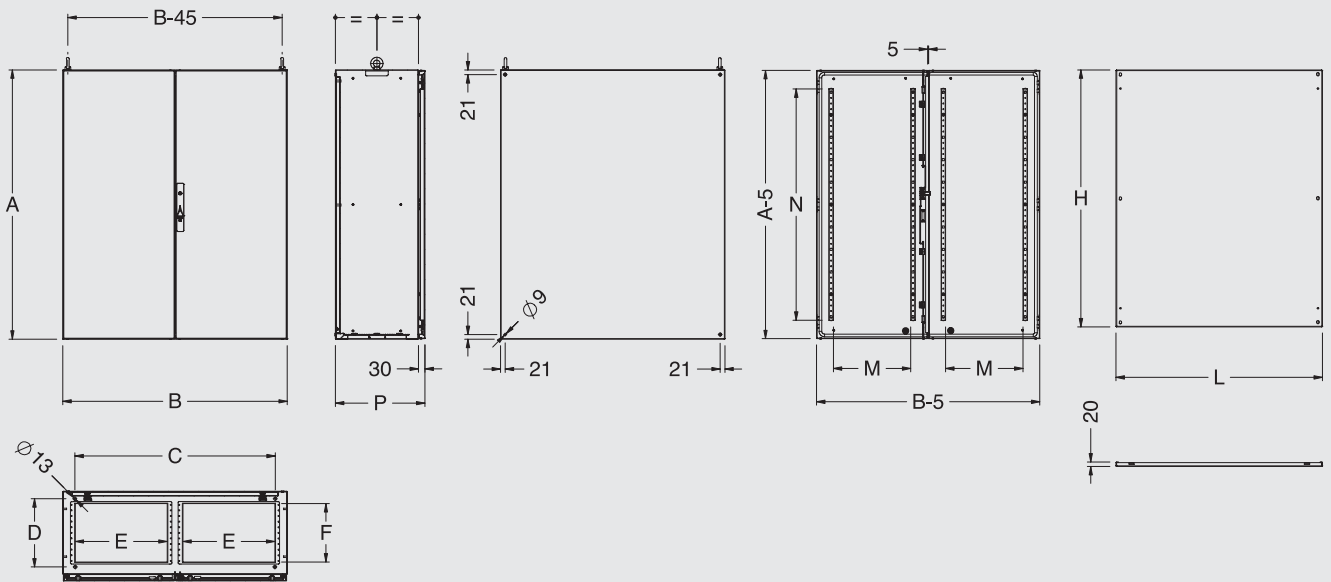
ATZE modular plinth (see page 94)



eyebolts (see page 95)



wall-mounting brackets (see page 95)



DIMENSIONAL SPECIFICATIONS

CODE CS	CABINET DIMENSIONS			FLOOR FIXING		CABLE ENTRY		DOOR SPACE		MOUNT. PLATE DIM.	
	B	A	P	C	D	E	F	M	N	L	H
CS101240	1000	1200	400	893	304	410	260	345	1030	920	1145
CS101430	1000	1400	300	893	204	410	160	345	1230	920	1345
CS101440	1000	1400	400	893	304	410	260	345	1230	920	1345
CS121240	1200	1200	400	1093	304	510	260	445	1030	1120	1145
CS121430	1200	1400	300	1093	204	510	160	445	1230	1120	1345
CS121440	1200	1400	400	1093	304	510	260	445	1230	1120	1345

CS COMPACT ENCLOSURE COMPLEMENTARY ACCESSORIES

MODULAR PLINTH ATZE

CHARACTERISTICS

Corner pieces manufactured from 25/10 sheet steel, with PVC front covers caps.

Front and side crosspieces manufactured from 20/10 press bent sheet steel.

PAINT FINISH

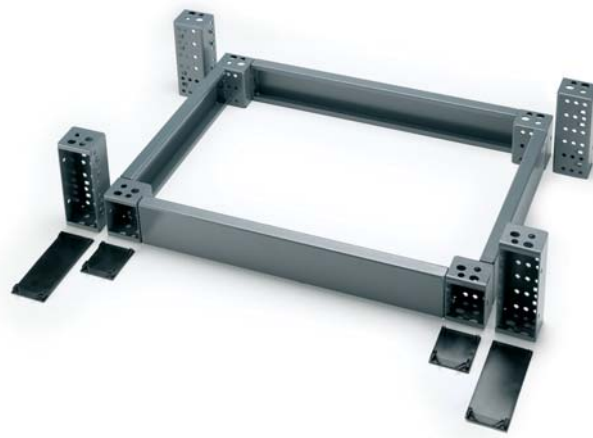
ETA standard epoxy polyester powder coating.

Colour: RAL 7025 textured finish

DELIVERY

The modular plinth is made up of

- corner pieces: supply includes 4 pieces complete with front covers and mounting hardware
- front crosspieces: supply includes 2 pieces
- side crosspieces: supply includes 2 pieces.



UNIVERSAL CORNER PIECES

ATZE CODE	DESCRIPTION
ATZE-A100	CORNER PIECES FOR PLINTH H=100
ATZE-A200	CORNER PIECES FOR PLINTH H=200

Supply includes 4 pieces with mounting accessories.

UNIVERSAL FRONT CROSSPIECES

ATZE CODE	DESCRIPTION	CROSS. LENGTH (mm)
ATZE-T0600	FRONT CROSS. FOR PLINTH W=600	444
ATZE-T0800	FRONT CROSS. FOR PLINTH W=800	644
ATZE-T1000	FRONT CROSS. FOR PLINTH W=1000	844
ATZE-T1200	FRONT CROSS. FOR PLINTH W=1200	1044

Supply includes 2 pieces.

To order the front crosspieces H=200, add the suffix "D" to the code. I.E.: ATZE-T0600D.

SIDE CROSSPIECES FOR CS

ATZE CODE	DESCRIPTION	CROSS. LENGTH (mm)
ATZE-T0300S	SIDE CROSS. FOR PLINTH D=300	136
ATZE-T0400A	SIDE CROSS. FOR PLINTH D=400	236

Supply includes 2 pieces.

To order the side crosspieces H=200, add the suffix "D" to the code. I.E.: ATZE-T0300SD.

Note: for more information, assembly drawings and dimensional features, please check on page 217.

KIT INNER DOOR STP01

The kit inner door STP01 for ST boxes can be mounted on CS compact enclosure.

CHARACTERISTICS

Frame and door manufactured from 15/10 sheet steel.

PAINT FINISH

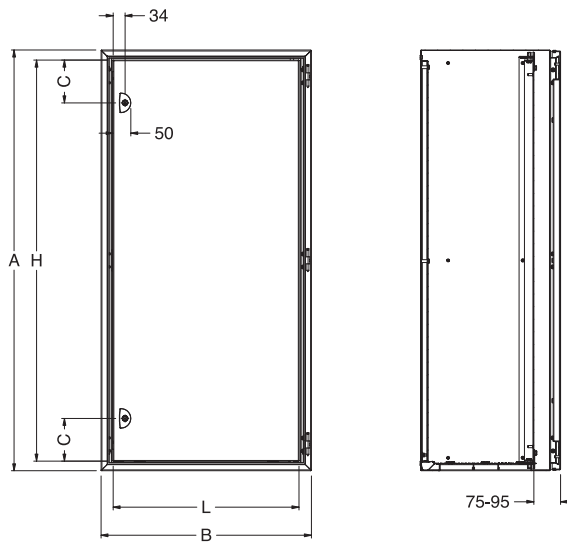
ETA standard epoxy polyester powder coating.
Colour: RAL 7035 textured finish.

DELIVERY

- Supply includes:
- frame
 - door
 - Ø 3mm double bar locking system
 - mounting accessories

PROTECTION RATINGS

- external: as compact enclosure
- internal: IP 20.



KIT INNER DOOR

STP CODE	FOR COMPACT ENCLOSURE	ENCLOSURE DIMENSIONS			DOOR DIMENSIONS			NR. OF LOCK. POINTS
		B	A	P	L	H	C	
STP01612	CS61240	600	1200	400	530	1144	122	2
STP01812	CS81240	800	1200	400	730	1144	122	2



EYEBOLTS WTGS-003

Zincpassivated M12 lifting eyebolts.

DELIVERY

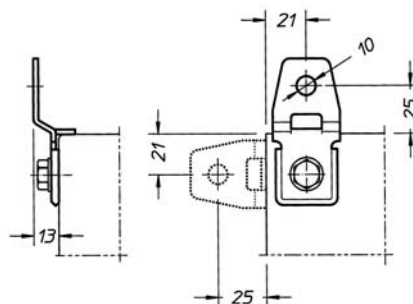
Supply includes nr. 2 pieces with nuts and washers.

WALL MOUNTING BRACKETS SDWC-010

Manufactured from 25/10 zincpassivated sheet steel.

DELIVERY

Supply includes nr. 4 pieces.



VERTICAL RAILS WTPR-CS

Manufactured from 15/10 sendzimir sheet steel.

DELIVERY

Supply includes nr. 4 pieces with accessories.

VERTICAL RAILS WTPR- ... CS	
WTPR CODE	ENCLOSURE HEIGHT
WTPR-050120CS	1200
WTPR-050140CS	1400



FAST FIXING BRACKETS WTPR - R

Manufactured from 15/10 sendzimir sheet steel, H=50mm.

DELIVERY

Supply includes nr. 4 pieces with mounting accessories.

FAST FIXING BRACKETS WTPR - R	
WTPR CODE	ENCLOSURE DEPTH
WTPR-050022R	300
WTPR-050032R	400

180° HINGES WTCE-180008

To be mounted on standard doors for 180° opening.

CHARACTERISTICS

Manufactured from zinc material.

PAINT FINISH

Colour: RAL 7025 textured finish.

DELIVERY

Supply includes nr. 3 hinges with mounting hardware



SLIDING RAILS CSPP

They allow easy installation of the mounting plate.
Rails can be removed after installation and kept for future use.

CHARACTERISTICS

Manufactured from 20/10 sendzimir zinc sheet steel.

DELIVERY

Supply includes nr. 2 pieces with mounting accessories.

SLIDING RAILS CSPP

CSPP CODE	ENCLOSURE DEPTH
CSPP-00300	300
CSPP-00400	400

